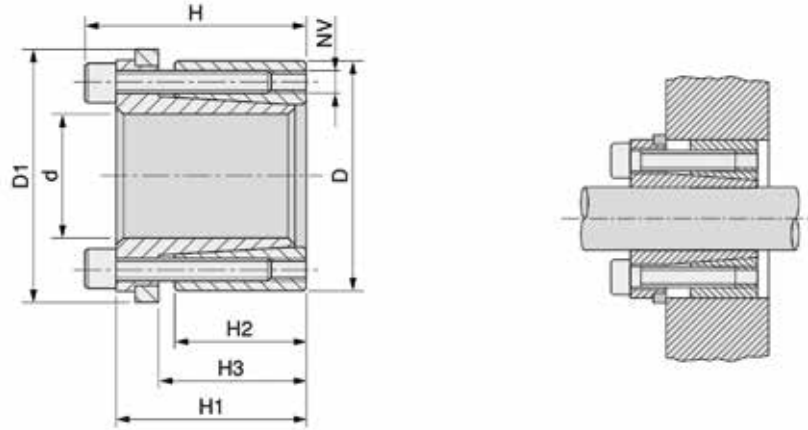


# TAPER BUSH LOCKING DEVICE



## DLK131 SECTION

Part No.	Dimensions							Tightening			Loosening		Performances		Surface Pressure	
	d	D	D1	H	H1	H2	H3	NV	Tv (Nm)	No. of screws	NV	No. of screws	Mt (mm)	Ta (KN)	Pa (N/mm <sup>2</sup> )	Pm (N/mm <sup>2</sup> )
DLK131-019	19	47	53	45	39	26	31	M6X20	17	4	M6X20	2	202	21	127	51
DLK131-020	20	47	53	45	39	26	31	M6X20	17	4	M6X20	2	213	21	121	51
DLK131-022	22	47	53	45	39	26	31	M6X20	17	4	M6X20	2	234	21	110	51
DLK131-024	24	50	56	45	39	26	31	M6X20	17	6	M6X20	3	384	32	151	73
DLK131-025	25	50	56	45	39	26	31	M6X20	17	6	M6X20	3	400	32	145	73
DLK131-028	28	55	61	45	39	26	31	M6X20	17	6	M6X20	3	448	32	129	66
DLK131-030	30	55	61	45	39	26	31	M6X20	17	6	M6X20	3	480	32	121	66
DLK131-032	32	60	66	45	39	26	31	M6X20	17	8	M6X20	4	683	43	151	81
DLK131-035	35	60	66	45	39	26	31	M6X20	17	8	M6X20	4	747	43	138	81
DLK131-038	38	65	71	45	39	26	31	M6X20	17	8	M6X20	4	811	43	127	74
DLK131-040	40	65	71	45	39	26	31	M6X20	17	8	M6X20	4	853	43	121	74
DLK131-042	42	75	81	55	47	30	36	M8X30	41	6	M8X30	3	1216	58	135	76
DLK131-045	45	75	81	55	47	30	36	M8X30	41	6	M8X30	3	1302	58	126	76

Part No.	Dimensions							Tightening			Loosening		Performances		Surface Pressure	
	d	D	D1	H	H1	H2	H3	NV	Tv (Nm)	No. of screws	NV	No. of screws	Mt (mm)	Ta (KN)	Pa (N/mm <sup>2</sup> )	Pm (N/mm <sup>2</sup> )
DLK131-048	48	80	86	55	47	30	36	M8X30	41	6	M8X30	3	1389	58	119	71
DLK131-050	50	80	86	55	47	30	36	M8X30	41	6	M8X30	3	1447	58	114	71
DLK131-055	55	85	91	55	47	30	36	M8X30	41	8	M8X30	4	2124	77	138	89
DLK131-060	60	90	96	55	47	30	36	M8X30	41	8	M8X30	4	2317	77	127	84
DLK131-065	65	95	101	55	47	30	36	M8X30	41	8	M8X30	4	2510	77	117	80
DLK131-070	70	110	116	67	57	40	46	M10X35	83	8	M10X35	4	4381	125	132	84
DLK131-075	75	115	121	72	62	40	46	M10X35	83	8	M10X35	4	4694	125	123	80
DLK131-080	80	120	126	72	62	40	46	M10X35	83	8	M10X35	4	5007	125	115	77
DLK131-085	85	125	131	72	62	40	46	M10X35	83	10	M10X35	4	6651	156	136	92
DLK131-090	90	130	136	72	62	40	46	M10X35	83	10	M10X35	4	7042	156	128	89
DLK131-095	95	135	141	72	62	40	46	M10X35	83	10	M10X35	4	7433	156	121	85
DLK131-100	100	145	151	89	77	46	52	M12X45	145	8	M12X45	4	9104	182	117	81
DLK131-110	110	155	161	89	77	46	52	M12X45	145	8	M12X45	4	10015	182	106	75
DLK131-120	120	165	171	89	77	46	52	M12X45	145	10	M12X45	4	13653	228	122	88
DLK131-130	130	180	186	89	77	46	52	M12X45	145	12	M12X45	4	17757	273	135	97
DLK131-140	140	190	196	98	84	51	59	M14X45	230	8	M14X45	4	17328	248	102	75
DLK131-150	150	200	206	98	84	51	59	M14X45	230	10	M14X45	5	23207	309	119	89