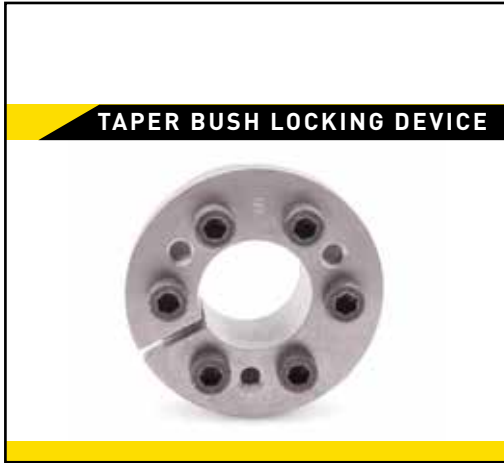


TAPER BUSH LOCKING DEVICE



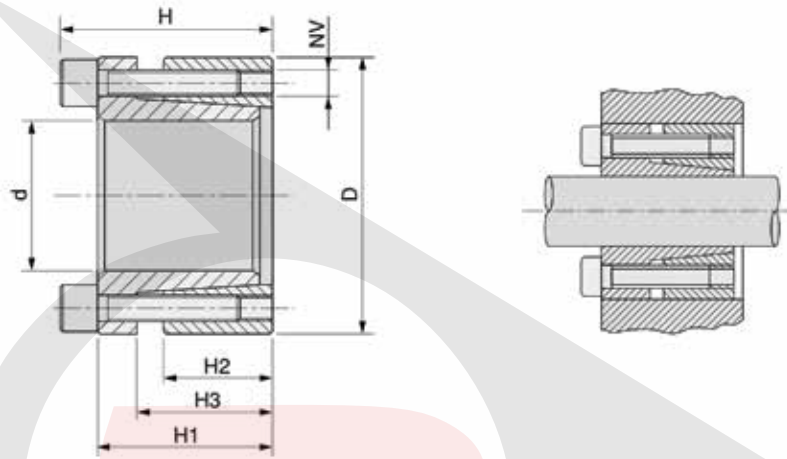
TAPER BUSH LOCKING DEVICE

TAPER BUSH LOCKING DEVICE

Description

Taper Bush Locking devices are precision made to provide a wide, versatile range of key less shaft/hub fixing assemblies. Their design is such they can be fitted to any mating component that has a parallel bore.

They offer simple installation, resistance to alternating torques, increased shaft strength, zero backlash, actual and angular adjustment therefore creating high torque transmission capacity.



DLK132 SECTION

Part No.	Dimensions						Tightening			Loosening		Performances		Surface Pressure	
	d	D	H	H1	H2	H3	NV	Tv (Nm)	No. of screws	NV	No. of screws	Mt (mm)	Ta (kN)	Pa (N/mm ²)	Pm (N/mm ²)
DLK132-019	19	47	34	28	17	22	M6x20	13	5	M6x20	3	273	29	262	106
DLK132-020	20	47	34	28	17	22	M6x20	13	5	M6x20	3	287	29	249	106
DLK132-022	22	47	34	28	17	22	M6x20	13	5	M6x20	3	316	29	227	106
DLK132-024	24	50	34	28	17	22	M6x20	13	6	M6x20	3	413	34	249	120
DLK132-025	25	50	34	28	17	22	M6x20	13	6	M6x20	3	431	34	239	120
DLK132-028	28	55	34	28	17	22	M6x20	13	6	M6x20	3	482	34	213	109
DLK132-030	30	55	34	28	17	22	M6x20	13	6	M6x20	3	517	34	199	109
DLK132-032	32	60	34	28	17	22	M6x20	13	8	M6x20	4	734	46	249	133
DLK132-035	35	60	34	28	17	22	M6x20	13	8	M6x20	4	803	46	227	133
DLK132-038	38	65	34	28	17	22	M6x20	13	8	M6x20	4	872	46	210	122
DLK132-040	40	65	34	28	17	22	M6x20	13	8	M6x20	4	918	46	199	122
DLK132-045	45	75	41	33	20	25	M8x25	32	7	M8x25	3	1674	74	244	146
DLK132-050	50	80	41	33	20	25	M8x25	32	7	M8x25	3	1860	74	219	137
DLK132-055	55	85	41	33	20	25	M8x25	32	8	M8x25	4	2340	85	228	148
DLK132-060	60	90	41	33	20	25	M8x25	32	8	M8x25	4	2553	85	209	139
DLK132-065	65	95	41	33	20	25	M8x25	32	9	M8x25	3	3110	96	217	149
DLK132-070	70	110	50	40	24	30	M10x30	65	8	M10x30	4	4838	138	243	154
DLK132-075	75	115	50	40	24	30	M10x30	65	8	M10x30	4	5184	138	226	148
DLK132-080	80	120	50	40	24	30	M10x30	65	8	M10x30	4	5530	138	212	142
DLK132-085	85	125	50	40	24	30	M10x30	65	9	M10x30	3	6610	156	225	153
DLK132-090	90	130	50	40	24	30	M10x30	65	9	M10x30	3	6998	156	212	147
DLK132-095	95	135	50	40	24	30	M10x30	65	10	M10x30	4	8208	173	223	157

TAPER BUSH LOCKING DEVICE

DLK132 SECTION continued

Part No.	Dimensions						Tightening			Loosening		Performances		Surface Pressure	
	d	D	H	H1	H2	H3	NV	Tv (Nm)	No. of screws	NV	No. of screws	Mt (mm)	Ta (KN)	Pa (N/mm ²)	Pm (N/mm ²)
DLK132X100	100	145	56	44	26	32	M12x35	110	8	M12x35	4	9742	195	221	152
DLK132X110	110	155	56	44	26	32	M12x35	110	8	M12x35	4	10716	195	201	143
DLK132X120	120	165	56	44	26	32	M12x35	110	9	M12x35	4	13154	219	207	151
DLK132X130	130	180	64	52	34	40	M12x35	110	12	M12x35	6	18996	292	195	141
DLK132X140	140	190	68	54	34	40	M14x40	170	9	M14x40	4	20336	291	180	133
DLK132X150	150	200	68	54	34	40	M14x40	170	10	M14x40	5	24211	323	187	140

