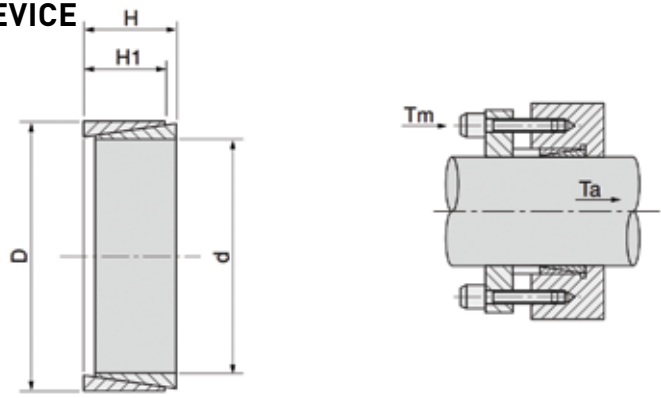


# TAPER BUSH LOCKING DEVICE



## DLK300 SECTION

Part No.	Dimensions				Performances			Surface Pressure	
	d	D	H	H1	Mt (mm)	Ta (KN)	Tm (KN)	Pa (N/mm <sup>2</sup> )	Pm (N/mm <sup>2</sup> )
DLK300-008	8	11	4.5	3.7	4.2	1.06	5.0	100	70
DLK300-009	9	12	4.5	3.7	5.8	1.29	13.3	100	79
DLK300-010	10	13	4.5	3.7	7.6	1.53	14.4	100	86
DLK300-012	12	15	4.5	3.7	9.9	1.65	14.5	100	80
DLK300-014	14	18	6.3	5.3	18.9	2.70	23.8	100	77
DLK300-015	15	19	6.3	5.3	22.1	2.94	24.3	100	79
DLK300-016	16	20	6.3	5.3	25.4	3.18	24.5	100	81
DLK300-018	18	22	6.3	5.3	31.8	3.53	25.3	100	82
DLK300-019	19	24	6.3	5.3	35.8	3.76	29.7	100	80
DLK300-020	20	25	6.3	5.3	38.8	3.88	30.1	100	79

Part No.	Dimensions				Performances			Surface Pressure	
	d	D	H	H1	Mt (mm)	Ta (KN)	Tm (KN)	Pa (N/mm <sup>2</sup> )	Pm (N/mm <sup>2</sup> )
DLK300-022	22	26	6.3	5.3	47.9	4.35	28.9	100	86
DLK300-024	24	28	6.3	5.3	56.4	4.70	30.0	100	86
DLK300-025	25	30	6.3	5.3	61.7	4.94	32.4	100	84
DLK300-028	28	32	6.3	5.3	77.4	5.53	32.6	100	88
DLK300-030	30	35	6.3	5.3	88.2	5.88	35.5	100	86
DLK300-032	32	36	6.3	5.3	100.0	6.23	36.7	100	88
DLK300-035	35	40	7.0	6.0	136.0	7.76	45.7	100	88
DLK300-038	38	44	7.0	6.0	161.0	8.47	49.7	100	87
DLK300-040	40	45	8.0	6.6	195.0	9.80	58.8	100	89
DLK300-042	42	48	8.0	6.6	215.0	10.20	62.6	100	87
DLK300-045	45	52	10.0	8.6	323.0	14.30	92.2	100	87
DLK300-048	48	55	10.0	8.6	367.0	15.30	94.6	100	88
DLK300-050	50	57	10.0	8.6	397.0	15.90	96.5	100	88
DLK300-055	55	62	10.0	8.6	479.0	17.40	101.8	100	88
DLK300-060	60	68	12.0	10.4	691.0	23.00	133.4	100	88
DLK300-065	65	73	12.0	10.4	814.0	25.00	140.4	100	89
DLK300-070	70	79	14.0	12.2	1107.0	31.60	176.0	100	89
DLK300-075	75	84	14.0	12.2	1266.0	33.80	189.6	100	89
DLK300-080	80	91	17.0	15.0	1769.0	44.20	251.0	100	89
DLK300-090	90	101	17.0	15.0	2244.0	49.90	272.4	100	89
DLK300-100	100	114	21.0	18.7	3452.0	69.00	377.7	100	89
DLK300-110	110	124	21.0	18.7	4178.0	76.00	415.0	100	89
DLK300-120	120	134	21.0	18.7	4967.0	82.80	440.2	100	89
DLK300-130	130	148	28.0	25.3	7896.0	121.00	654.2	100	89
DLK300-140	140	158	28.0	25.3	9146.0	131.00	689.0	100	89
DLK300-150	150	168	28.0	25.3	10505.0	140.00	727.5	100	89