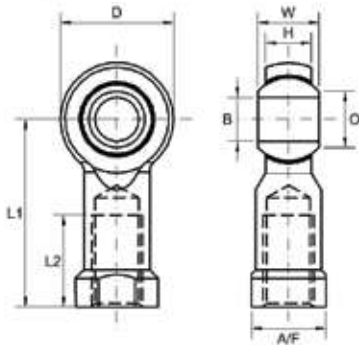




FEMALE ROD ENDS



FB SERIES: FB - FBS

Description:

FB-Series is our 4-piece standard range of maintenance required general purpose female rod ends suitable for medium heavy industrial/mechanical load applications requiring low friction and good wear resistance, available in both metric and imperial bore and thread sizes. An oil impregnated sintered bronze race is also available for some sizes or if quantity justifies production, suitable for high precision motion transfer applications and extended wear life.

Material Specifications:

Housing: Steel 230M07PB and forged 080M46, zinc plated and clear trivalent passivate Race: Bronze SAE660. Ball: Bearing steel 100Cr6, hardened and electroless nickel plated. Stud: Steel 230M07PB zinc plated and clear trivalent passivate.

Features

- Metric & imperial thread & bore sizes
- Low friction
- Self-lubricating option
- Extended wear life
- Maintenance required
- Studded option

Possible Applications

- Medium/heavy industrial/mechanical applications
- Construction equipment
- Agricultural equipment
- Recreational vehicles
- Precision equipment

Temperature Range

-34 °C to +149 °C

Specification

ELV & RoHS compliant

Interchange table

Dunlop	Rose	Tuthill	Alinabal	SKF	Asahi	IKO	Fluro
FB-M (metric)	MF	FB-M	MVF-M	SIKAC-M	JAF	PHS	GIS
FB (imperial)	RF-U	FB	VF-G	-	-	PHSB	-

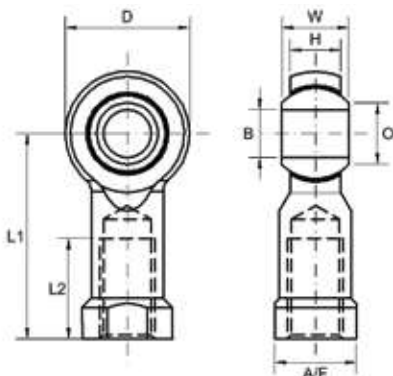
Note: Manufacturers part numbers are used for descriptive purposes only and may not be direct equivalent products.



An oil impregnated Sintered Bronze race is also available for many sizes or if quantity justifies production. This will offer extended life without the need for routine maintenance i.e. maintenance free, add suffix "SPB" to part number for example FB-M10SPB. Please enquire for availability

For stainless steel add 'SS' to part no. For example 'FB-M03 SS'

FB SERIES: MAINTENANCE REQUIRED ROD ENDS WITH FEMALE THREAD (METRIC)



Housing: Steel 230M07Pb (Sizes M03 – M12),
Forged 080M46 (Sizes M14 – M25),
Zinc Plated and Clear Trivalent Passivate

Race: Bronze SAE660

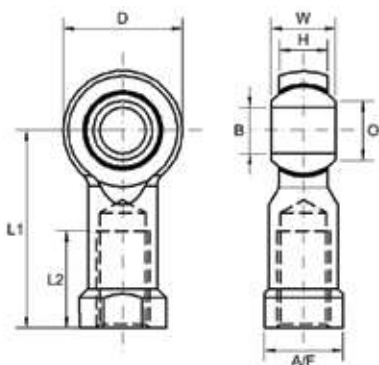
Ball: Bearing Steel 100Cr6, Hardened
Electro-less Nickel Plated

Specification: ELV and RoHS Compliant



Part No. Right Hand	Part No. Left Hand	Bore Size	Thread	W	H	D	L1	L2	O	AF	Static Load Rating Radial (Newtons)
FB-M03	FBL-M03	3	M3X0.50	6	4.50	12	21	10	5.20	6.5	3,648
FB-M04	FBL-M04	4	M4X0.70	7	5.00	14	24	12	6.30	8.0	4,960
FB-M05	FBL-M05	5	M5X0.80	8	6.00	16	27	14	7.50	9.0	6,360
FB-M06	FBL-M06	6	M6X1.00	9	6.75	18	30	14	9.30	11.0	6,820
FB-M08	FBL-M08	8	M8X1.25	12	9.00	22	36	17	10.40	14.0	10,450
FB-M10	FBL-M10	10	M10X1.50	14	10.50	26	43	21	12.90	17.0	14,000
FB-M12	FBL-M12	12	M12X1.75	16	12.00	30	50	24	15.40	19.0	18,745
FB-M14	FBL-M14	14	M14X2.00	19	13.50	34	57	27	16.80	22.0	22,125
FB-M16	FBL-M16	16	M16X2.00	21	15.00	38	64	33	19.30	22.0	23,700
FB-M20	FBL-M20	20	M20X2.50	25	18.00	50	77	40	24.50	32.0	28,640
FB-M22	FBL-M22	22	M22X1.50	28	20.00	54	84	43	25.80	32.0	34,200
FB-M25	FBL-M25	25	M24X2.00	31	22.00	60	94	48	29.60	36.0	47,750

FB SERIES: MAINTENANCE REQUIRED ROD ENDS WITH FEMALE THREAD (IMPERIAL)



Housing: Steel 230M07Pb (Sizes 03 - 07),
Forged 080M46 (Sizes 08 - 16),
Zinc Plated and Clear Trivalent Passivate

Race: Bronze SAE660

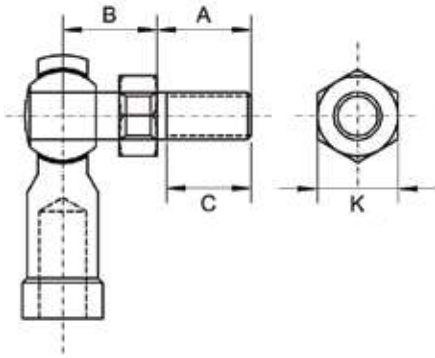
Ball: Bearing Steel 100Cr6, Hardened
and Electro-less Nickel Plated

Specification: ELV and RoHS Compliant



Part No. Right Hand	Part No. Left Hand	Bore Size	Thread	W	H	D	L1	L2	O	AF	Static Load Rating Radial (Newtons)
FB-03	FBL-03	3/16	10-32	0.312	0.250	0.625	1.062	0.562	0.306	0.312	6,360
FB-04	FBL-04	1/4	1/4 UNF	0.375	0.281	0.750	1.312	0.750	0.354	0.375	6,820
FB-05	FBL-05	5/16	5/16 UNF	0.437	0.344	0.875	1.375	0.750	0.447	0.437	10,450
FB-06	FBL-06	3/8	3/8 UNF	0.500	0.406	1.000	1.625	0.932	0.516	0.562	13,640
FB-07	FBL-07	7/16	7/16 UNF	0.562	0.437	1.125	1.812	1.062	0.586	0.625	16,360
FB-08	FBL-08	1/2	1/2 UNF	0.625	0.500	1.312	2.125	1.187	0.700	0.750	19,545
FB-10	FBL-10	5/8	5/8 UNF	0.750	0.562	1.500	2.500	1.500	0.811	0.875	22,500
FB-12	FBL-12	3/4	3/4 UNF	0.875	0.687	1.750	2.875	1.562	0.978	1.000	28,640
FB-16	FBL-16	1	1" UNF	1.375	1.000	2.500	4.125	2.125	1.486	1.500	47,500

FBS SERIES: MAINTENANCE FREE ROD ENDS WITH FEMALE THREAD (METRIC)



Housing: Steel 230M07Pb (Sizes M05 – M12)
 Forged 080M46 (Sizes M14 – M16)
 Zinc Plated and Clear Trivalent Passivate

Race: Bronze SAE660

Ball: Bearing Steel 100Cr6, Hardened and Electro-less Nickel Plated

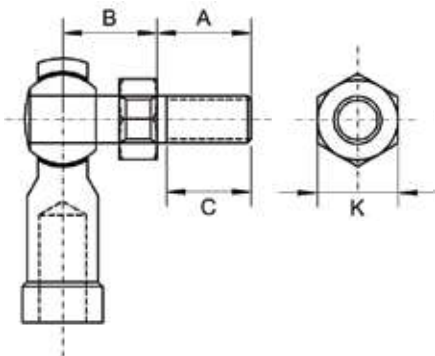
Stud: Steel 230M07Pb, Zinc Plated and Clear Trivalent Passivate

Specification: ELV and RoHS Compliant



Part No. Right Hand	Part No. Left Hand	Stud Size	Housing Thread	A	B	C	K	Static Load Rating (Newtons) Radial
FB-M05S	FBL-M05S	M5X0.80	M5X0.80	10	10	8	9	1,200
FB-M06S	FBL-M06S	M6X1.00	M6X1.00	12	12	10	10	1,930
FB-M08S	FBL-M08S	M8X1.25	M8X1.25	16	16	14	13	3,190
FB-M10S	FBL-M10S	M10X1.50	M10X1.50	20	20	18	17	4,240
FB-M12S	FBL-M12S	M12X1.75	M12X1.75	24	24	21	19	5,720
FB-M14S	FBL-M14S	M14X2.00	M14X2.00	28	28	25	22	7,200
FB-M16S	FBL-M16S	M16X2.00	M16X2.00	29	29	24	24	9,000

FBS SERIES: STUDED FEMALE ROD ENDS (IMPERIAL)



Housing: Steel 230M07Pb (Sizes 03 – 07)
 Forged 080M46 (Sizes 08 - 10)
 Zinc Plated and Clear Trivalent Passivate

Race: Bronze SAE660

Ball: Bearing Steel 100Cr6, Hardened and Electro-less Nickel Plated

Stud: Steel 230M07Pb, Zinc Plated and Clear Trivalent Passivate

Specification: ELV and RoHS Compliant



Part No. Right Hand	Part No. Left Hand	Stud Size	Housing Thread	A	B	C	K	Static Load Rating (Newtons) Radial
FB-03S	FBL-03S	3/16 UNF	3/16 UNF	0.500	0.516	0.437	0.312	1,200
FB-04S	FBL-04S	1/4 UNF	1/4 UNF	0.562	0.485	0.500	0.375	1,930
FB-05S	FBL-05S	5/16 UNF	5/16 UNF	0.687	0.547	0.594	0.437	3,190
FB-06S	FBL-06S	3/8 UNF	3/8 UNF	0.906	0.562	0.812	0.500	4,240
FB-07S	FBL-07S	7/16 UNF	7/16 UNF	1.125	0.843	1.000	0.625	5,720
FB-08S	FBL-08S	1/2 UNF	1/2 UNF	1.125	0.875	1.000	0.625	7,200
FB-10S	FBL-10S	5/8 UNF	5/8 UNF	1.125	1.000	1.000	0.750	9,000

B.S.F. threads are available from size FB-04S, (FBL-04S), and above by adding suffix "F" to the part number e.g. FB-08FS, (FBL-08FS). Stainless steel, Grade 303L, rod ends are available by adding suffix "SS" to the part number e.g. FB-M10S-SS, (FBL-M10S-SS).

For stainless steel add 'SS' to part no. For example 'FB-M05S SS'