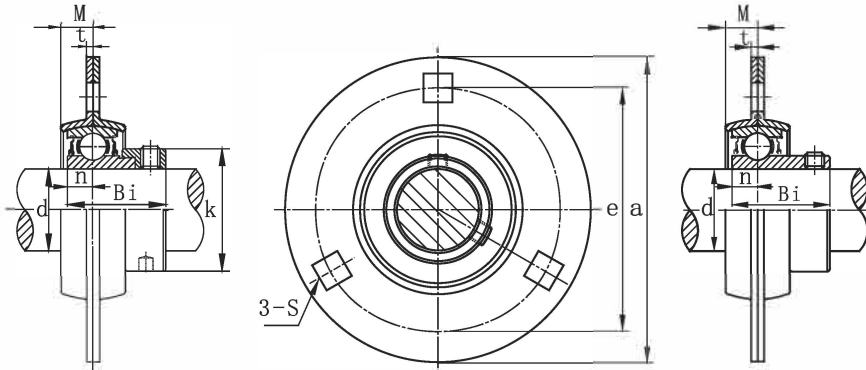


Pressed Steel Housing Flange Units (light-duty)



SAPF 200
SA2-fitted
SBPF 200
SB2-fitted

Bearing unit	Shaft Dia.	Dimensions(in)or(mm)							Bolt used	Bearing		Bearing weight	Housing		
No.	d	a	e	M	t	s	n	Bi	k	No.	Bi	No.	No.		
	(in) (mm)			(mm)			(in.) (mm)				(kg)		(kg)		
SAPF SBPF 201	12	3 ³ / ₁₆	2 ¹ / ₂	9 ⁹ / ₃₂	2	9 ⁹ / ₃₂	0.2362	1/4	1.1260	1.1260	SA 201	0.8661	SB 201	0.27	PF 201
201-8	1 ¹ / ₂	81	63.5	7.0		7.1	6.0	M6	28.6	28.6	201-8	22.0	201-8		
SAPF SBPF 202	15	3 ³ / ₁₆	2 ¹ / ₂	9 ⁹ / ₃₂	2	9 ⁹ / ₃₂	0.2362	1/4	1.1260	1.1260	SA 202	0.8661	SB 202	0.27	PF 202
202-10	5 ⁵ / ₈	81	63.5	7.0		7.1	6.0	M6	28.6	28.6	202-10	22.0	202-10		
SAPF SBPF 203	17	3 ³ / ₁₆	2 ¹ / ₂	9 ⁹ / ₃₂	2	9 ⁹ / ₃₂	0.2362	1/4	1.1260	1.1260	SA 203	0.8661	SB 203	0.27	PF 203
203-11	1 ¹¹ / ₁₆	81	63.5	7.0		7.1	6.0	M6	28.6	28.6	203-11	22.0	203-11		
SAPF SBPF 204-12	3/4	3 ¹⁷ / ₃₂	2 ¹⁹ / ₁₆	5 ⁵ / ₁₆	2	2 ³ / ₆₄	0.2756	5/16	1.2205	1.3110	SA 204-12	0.9843	SB 204-12	0.33	PF 204
204	20	90	71.5	8		9.0	7.0	M8	31	33.3	204	25.0	204		
SAPF SBPF 205-14	7/8										SA 205-14		SB 205-14		
205	25	3 ³ / ₄	2 ⁶³ / ₆₄	2 ²³ / ₆₄	2	2 ³ / ₆₄	0.2953	5/16	1.2205	1.5000	205	1.0630	205	0.38	PF 205
205-16	1	95	76	9		9.0	7.5	M8	31	38.1	205-16	27.0	205-16		
SAPF SBPF 206-18	1 ¹ / ₈										SA 206-18		SB 206-18		
206	30	4 ⁷ / ₁₆	3 ⁹ / ₁₆	3 ³ / ₈	2.6	7 ⁷ / ₁₆	0.3150	3/8	1.4055	1.7520	206	1.1811	206	0.62	PF 206
206-19	1 ³ / ₁₆	113	90.5	9.5		11	8.0	M10	35.7	44.5	206-19	30.0	206-19		
206-20	1 ¹ / ₄								206-20				206-20		
SAPF SBPF 207-20	1 ¹ / ₄										SA 207-20		SB 207-20		
207-22	1 ³ / ₈	4 ¹³ / ₁₆	3 ¹⁵ / ₁₆	7 ⁷ / ₁₆	2.6	7 ⁷ / ₁₆	0.3346	3/8	1.4370	2.1890	207-22	1.2598	207-22	0.82	PF 207
207	35	122	100	11		11	8.5	M10	38.9	55.6	207	32.0	207		
207-23	1 ⁷ / ₁₆								207-23				207-23		