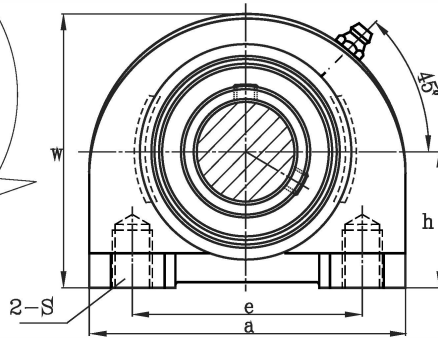
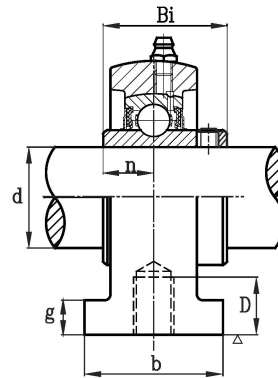


UCPA 200

normal-duty



Tapped-base Pillow Blocks



SR type seal



TRL type seal

Bearing unit	Shaft Dia.	Dimensions(in)or(mm)										Boltused	Bearing	Housing	weight
No.	d	h	a	e	b	S	g	w	D	Bi	n	No.	No.		
	(in.) (mm)					(mm)					(mm)			(kg)	
UCPA 201	12	1 3/16	3	2 3/64	1 1/2	M10	5/16	2 7/16	15/32	1.2205	0.5000	M10	UC 201	PA 201	0.55
201-8	1/2	30.2	76	52	38		8	62	12	31.0	12.7		201-8		
UCPA 202	15	1 3/16	3	2 3/64	1 1/2	M10	5/16	2 7/16	15/32	1.2205	0.5000	M10	UC 202	PA 202	0.53
202-10	5/8	30.2	76	52	38		8	62	12	31.0	12.7		202-10		
UCPA 203	17	1 3/16	3	2 3/64	1 1/2	M10	5/16	2 7/16	15/32	1.2205	0.5000	M10	UC 203	PA 203	0.52
203-11	11/16	30.2	76	52	38		8	62	12	31.0	12.7		203-11		
UCPA 204-12	3/4	1 3/16	3	2 3/64	1 1/2	M10	5/16	2 7/16	15/32	1.2205	0.5000	M10	UC 204-12	PA 204	0.5
204	20	30.2	76	52	38		8	62	12	31.0	12.7		204		
UCPA 205-14	7/8	1 7/16	3 5/16	2 13/64	1 1/2	M10	25/64	2 27/32	19/32	1.3386	0.5630	M10	UC 205-14	PA 205	0.72
205-15	15/16	36.5	84	56	38		10	72	15	34	14.3		205-15		
205	25	36.5	84	56	38		10	72	15	34	14.3		205		
205-16	1	36.5	84	56	38		10	72	15	34	14.3		205-16		
UCPA 206-18	1 1/8	1 11/16	3 11/16	2 19/32	1 7/8	M14	25/64	3 5/16	45/64	1.5000	0.6260	M14	UC 206-18	PA 206	1.02
206	30	42.9	94	66	48		10	84	18	38.1	15.9		206		
206-19	1 3/16	42.9	94	66	48		10	84	18	38.1	15.9		206-19		
UCPA 207-20	1 1/4	1 7/8	4 11/32	3 5/32	1 7/8	M14	15/32	3 3/4	25/32	1.6890	0.6890	M14	UC 207-20	PA 207	1.58
207-21	1 5/16	47.6	110	80	48		12	95	20	42.9	17.5		207-21		
207-22	3/8	47.6	110	80	48		12	95	20	42.9	17.5		207-22		
207	35	47.6	110	80	48		12	95	20	42.9	17.5		207		
207-23	1 7/16	47.6	110	80	48		12	95	20	42.9	17.5		207-23		
UCPA 208-24	1 1/2	1 15/16	4 9/16	3 5/16	2 1/8	M14	15/32	3 15/16	25/32	1.9370	0.7480	M14	UC 208-24	PA 208	1.84
208-25	1 9/16	49.2	116	84	54		12	100	20	49.2	19.0		208-25		
208	40	49.2	116	84	54		12	100	20	49.2	19.0		208		
UCPA 209-26	1 5/8	2 9/64	4 23/32	3 35/64	2 1/8	M14	15/32	4 1/4	63/64	1.9370	0.7480	M14	UC 209-26	PA 209	2.06
209-27	1 11/16	54.2	120	90	54		12	108	25	49.2	19.0		209-27		
209-28	1 3/4	54.2	120	90	54		12	108	25	49.2	19.0		209-28		
209	45	54.2	120	90	54		12	108	25	49.2	19.0		209		
UCPA 210-30	1 7/8	2 1/4	5 1/8	4 45/64	3 3/8	M16	9/16	4 9/16	63/64	2.0315	0.7480	M16	UC 210-30	PA 210	2.44
210-31	1 15/16	57.2	130	94	60		14	116	25	51.6	19.0		210-31		
210	50	57.2	130	94	60		14	116	25	51.6	19.0		210		
210-32	2	57.2	130	94	60		14	116	25	51.6	19.0		210-32		