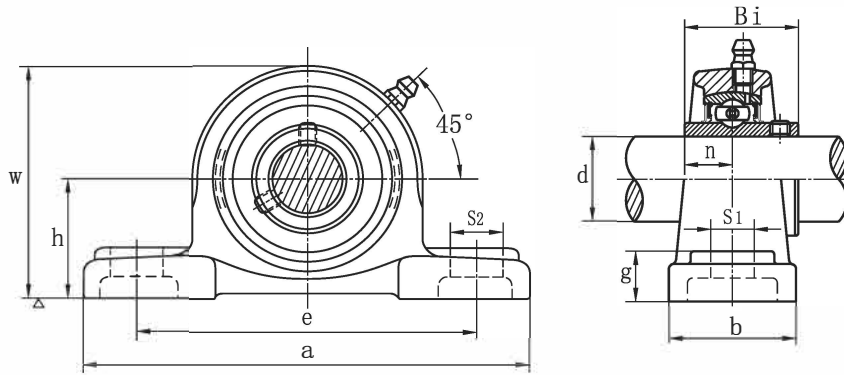


# Pillow Blocks



**UCP X00**

medium-duty



SR type seal



TRL type seal

Bearing unit	Shaft Dia*	Dimensions(in)or(mm)										Bolt used	Bearing	Housing	weight	
No.	d	h	a	e	b	S2	S1	g	w	Bi	n	No.	No.			
	(in.)	(mm)										(mm)	(in.)	(kg)		
UCP <b>X05</b>		25														
<b>X05-14</b>	7/8	1 3/4	6 1/4	4 11/16	2	5 1/64	2 1/32	45/64	1 1/32	1.5000	0.6260	M14	1/2	UC X05 X05-14 X05-16	PX05	1.50
<b>X05-16</b>	1	44.4	159	119	51	20	17	18	85	38.1	15.9					
UCP <b>X06</b>		30														
<b>X06-18</b>	1 1/8	1 7/8	6 7/8	5	2 1/4	5 1/64	2 1/32	25/32	3 45/64	1.6890	0.6890	M14	1/2	UC X06 X06-18 X06-19 X06-20	PX06	2.00
<b>X06-19</b>	1 3/16									42.9	17.5					
<b>X06-20</b>	1 1/4	47.6	175	127	57	20	17	20	94							
UCP <b>X07-20</b>																
<b>X07-22</b>	1 1/4	2 1/8	8	5 21/32	2 1/4	63/64	2 1/32	55/64	4 1/8	1.9370	0.7480	M14	1/2	UC X07-20 X07-22 X07	PX07	2.70
<b>X07</b>	1 3/8	54.0	203	144	57	25	17	22	105	49.2	19.0					
<b>X07-23</b>	1 7/16															
UCP <b>X08-24</b>																
<b>X08</b>	1 1/2	2 5/16	8 3/4	6 5/32	2 5/8	1 1/16	25/32	1 1/32	4 29/64	1.9370	0.7480	M16	5/8	UC X08-24 X08	PX08	3.50
		58.7	222	156	67	27	20	26	113	49.2	19.0					
UCP <b>X09-26</b>																
<b>X09-27</b>	1 5/8	2 5/16	8 3/4	6 5/32	2 5/8	1 1/16	25/32	1 1/32	4 9/16	2.0315	0.7480	M16	5/8	UC X09-26 X09-27 X09-28 X09	PX09	3.60
<b>X09-28</b>	1 3/4	58.7	222	156	67	27	20	26	116	51.6	19.0					
<b>X09</b>																
UCP <b>X10-31</b>																
<b>X10</b>	1 5/16	2 1/2	9 1/2	6 23/32	2 7/8	1 3/16	25/32	1 1/16	4 3/32	2.1890	0.8740	M16	5/8	UC X10-31 X10	PX10	4.40
<b>X10-32</b>	2	63.5	241	171	73	30	20	27	126	55.6	22.2			X10-32		
UCP <b>X11</b>																
<b>X11-32</b>	2	2 3/4	10 1/4	7 1/4	3 1/8	1 3/16	63/64	1 3/16	5 15/32	2.5630	1.0000	M20	3/4	UC X11 X11-32 X11-35 X11-36	PX11	6.30
<b>X11-35</b>	2 3/16	69.8	260	184	79	30	25	30	139	65.1	25.4					
<b>X11-36</b>	2 1/4															
UCP <b>X12</b>																
<b>X12-36</b>	2 1/4	3	11 1/4	8	3 9/32	1 3/16	63/64	1 7/64	5 31/32	2.5630	1.0000	M20	3/4	UC X12 X12-36 X12-38 X12-39	PX12	7.40
<b>X12-38</b>	2 3/8	76.2	286	203	83	30	25	32	152	65.1	25.4					
<b>X12-39</b>	2 7/16															
UCP <b>X13-40</b>																
<b>X13</b>	2 1/2	3	11 1/4	8	3 9/32	1 3/16	63/64	1 7/64	6 1/16	2.9370	1.1890	M20	3/4	UC X13-40 X13	PX13	7.70
		76.2	286	203	83	30	25	32	154	74.6	30.2					
UCP <b>X14-44</b>																
<b>X14</b>	2 3/4	3 1/2	13	9 1/32	3 1/2	1 37/64	1 1/16	1 3/8	6 23/32	3.0630	1.3110	M22	7/8	UC X14-44 X14	PX14	10.60
		88.9	330	229	89	40	27	35	171	77.8	33.3					
UCP <b>X15</b>																
<b>X15-47</b>	2 15/16	3 1/2	13	9 1/32	3 1/2	1 37/64	1 1/16	1 3/8	6 7/8	3.2520	1.3110	M22	7/8	UC X15 X15-47 X15-48	PX15	11.10
<b>X15-48</b>	3	88.9	330	229	89	40	27	35	175	82.6	33.3					
UCP <b>X16</b>																
<b>X16-50</b>	3 1/8	4	15	11 5/32	4 1/32	1 37/64	1 1/16	1 21/32	7 1/16	3.3740	1.3425	M22	7/8	UC X16 X16-50	PX16	16.20
		101.6	381	283	102	40	27	42	195	85.7	34.1					
UCP <b>X17</b>																
<b>X17-52</b>	3 1/4	4	15	11 5/32	4 1/32	1 37/64	1 1/16	1 9/64	7 7/8	3.7795	1.5630	M22	7/8	UC X17 X17-52	PX17	16.50
		101.6	381	283	102	40	27	45	200	96.0	39.7					
UCP <b>X18-56</b>																
<b>X18</b>	3 1/2	4	15	11 5/32	4 3/8	1 37/64	1 1/16	1 49/64	8 1/32	4.0945	1.6890	M22	7/8	UC X18-56 X18	PX18	18.00
		101.6	381	283	111	40	27	45	204	104.0	42.9					
UCP <b>X20</b>																
<b>X20-64</b>	4	5	17	13 9/32	4 3/4	1 37/64	1 1/16	2 3/64	9 21/32	4.6260	1.9370	M27	1	UC X20 X20-64	PX20	31.80
		127.0	432	337	121	40	33	52	245	117.5	49.2					