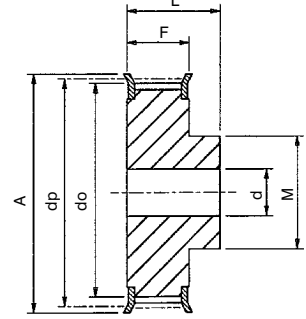


Plain Bore Pulleys 14M Belts

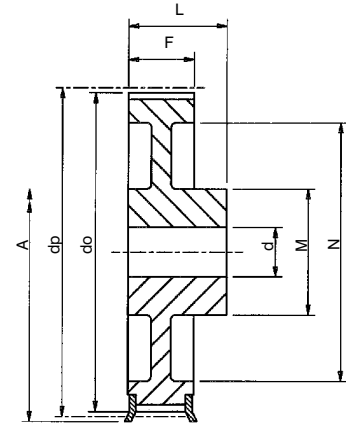
Catalogue No.	No. Teeth Z	Pulley Type	Pitch Circle Dia. dp	Min. Bore d	Max. Bore d	Outside Diameter do	Flange Diameter A	Pulley Width F	Bore Length L	Hub Diameter M	Rim Diameter N	Approx Weight kg
14mm Pitch Pulleys for 40mm Wide Belts. Ref. 14M40												
P28-14M-40	28	1F	124.78	24	67	122.1	128	54	69	100	-	4.73
P30-14M-40	30	1F	133.69	24	67	131.0	138	54	69	100	-	5.45
P32-14M-40	32	1F	142.60	24	67	139.9	154	54	69	100	-	6.17
P34-14M-40	34	1F	151.52	24	67	148.8	160	54	69	100	-	6.88
P36-14M-40	36	1F	160.43	24	67	157.7	168	54	69	100	-	7.60
P38-14M-40	38	1F	169.34	24	80	166.6	184	54	69	120	-	8.28
P40-14M-40	40	1F	178.25	24	80	175.5	188	54	69	120	-	9.26
P44-14M-40	44	1F	196.08	24	80	193.3	212	54	69	120	-	10.32
P48-14M-40	48	2F	213.90	24	82	211.1	226	54	69	135	170	11.50
P56-14M-40	56	2F	249.55	28	82	246.8	256	54	69	135	207	13.05
P64-14M-40	64	2F	285.21	28	82	282.4	296	54	69	135	240	14.40
P72-14M-40	72	2	320.86	28	82	318.1	-	54	69	135	278	16.90
P80-14M-40	80	2	356.51	28	82	353.7	-	54	69	135	314	18.50
P90-14M-40	90	2	401.07	28	82	398.3	-	54	69	135	358	20.00
P112-14M-40	112	2	499.11	28	82	496.3	-	54	69	135	456	26.70
P144-14M-40	144	2	641.71	28	82	638.9	-	54	69	135	600	35.00
P168-14M-40	168	2	748.66	28	82	745.9	-	54	69	135	706	44.20
P192-14M-40	192	2	855.62	28	82	852.8	-	54	69	135	813	52.20
14mm Pitch Pulleys for 55mm Wide Belts. Ref. 14M55												
P28-14M-55	28	1F	124.78	24	67	122.1	128	70	85	100	-	5.60
P30-14M-55	30	1F	133.69	24	67	131.0	138	70	85	100	-	6.60
P32-14M-55	32	1F	142.60	24	67	139.9	154	70	85	100	-	7.60
P34-14M-55	34	1F	151.52	24	67	148.8	160	70	85	100	-	8.60
P36-14M-55	36	1F	160.43	24	67	157.7	168	70	85	100	-	9.60
P38-14M-55	38	1F	169.34	24	80	166.6	184	70	85	120	-	10.80
P40-14M-55	40	1F	178.25	24	80	175.5	188	70	85	120	-	11.20
P44-14M-55	44	1F	196.08	24	80	193.3	212	70	85	120	-	12.50
P48-14M-55	48	3F	213.90	24	82	211.1	226	70	70	135	170	13.70
P56-14M-55	56	3F	249.55	28	82	246.8	256	70	70	135	207	14.50
P64-14M-55	64	3F	285.21	28	82	282.4	296	70	70	135	240	15.60
P72-14M-55	72	3	320.86	28	82	318.1	-	70	70	135	278	16.90
P80-14M-55	80	3	356.51	28	82	353.7	-	70	70	135	314	20.00
P90-14M-55	90	3	401.07	28	82	398.3	-	70	70	135	358	22.60
P112-14M-55	112	3	499.11	28	82	496.3	-	70	70	135	456	29.50
P144-14M-55	144	3	641.71	28	82	638.9	-	70	70	135	600	39.00
P168-14M-55	188	3	748.66	28	82	745.9	-	70	70	135	706	48.50
P192-14M-55	192	3	855.62	28	82	852.8	-	70	70	135	813	57.80
14mm Pitch Pulleys for 85mm Wide Belts. Ref. 14M85												
P28-14M-85	28	1F	124.78	24	67	122.1	128	102	117	100	-	7.70
P30-14M-85	30	1F	133.69	24	67	131.0	138	102	117	100	-	9.10
P32-14M-85	32	1F	142.60	24	67	139.9	154	102	117	100	-	10.50
P34-14M-85	34	1F	151.52	24	67	148.8	160	102	117	100	-	11.90
P36-14M-85	36	1F	160.43	24	67	157.7	168	102	117	100	-	13.20
P38-14M-85	38	1F	169.34	32	80	166.6	184	102	117	120	-	15.15
P40-14M-85	40	1F	178.25	32	90	175.5	188	102	117	135	-	17.10
P44-14M-85	44	1F	196.08	32	90	193.3	212	102	117	135	-	23.30
P48-14M-85	48	1F	213.90	32	100	211.1	226	102	117	150	-	25.00
P56-14M-85	56	3F	249.55	32	90	246.8	256	102	102	150	207	25.00
P64-14M-85	64	3F	285.21	32	90	282.4	296	102	102	150	240	30.50
P72-14M-85	72	3	320.86	32	90	318.1	-	102	102	150	278	28.80
P80-14M-85	80	3	356.51	32	90	353.7	-	102	102	150	314	30.10
P90-14M-85	90	3	401.07	32	90	398.3	-	102	102	150	358	33.00
P112-14M-85	112	3	499.11	32	90	496.3	-	102	102	150	456	41.80
P144-14M-85	144	3	641.71	32	90	638.9	-	102	102	150	600	52.40
P168-14M-85	168	3	748.66	32	90	745.9	-	102	102	150	706	60.30
P192-14M-85	192	3	855.62	32	100	852.8	-	102	102	165	813	70.20
14mm Pitch Pulleys for 115mm Wide Belts. Ref. 14M115												
P28-14M-115	28	1F	124.78	32	67	122.1	128	133	148	100	-	9.20
P30-14M-115	30	1F	133.69	32	67	131.0	138	133	148	100	-	11.20
P32-14M-115	32	1F	142.60	32	67	139.9	154	133	148	100	-	13.20
P34-14M-115	34	1F	151.52	32	67	148.8	160	133	148	100	-	14.80
P36-14M-115	36	1F	160.43	32	67	157.7	168	133	148	100	-	16.60
P38-14M-115	38	1F	169.34	32	80	166.6	184	133	148	120	-	18.20
P40-14M-115	40	1F	178.25	32	90	175.5	188	133	148	135	-	20.56
P44-14M-115	44	1F	196.08	32	94	193.3	212	133	148	140	-	21.93
P48-14M-115	48	1F	213.90	32	100	211.1	226	133	148	150	-	25.00
P56-14M-115	56	1F	249.55	32	100	246.8	256	133	148	150	-	27.50
P64-14M-115	64	3F	285.21	32	90	282.4	296	133	133	150	240	30.10
P72-14M-115	72	3	320.86	32	90	318.1	-	133	133	150	278	32.83
P80-14M-115	80	3	356.51	32	90	353.7	-	133	133	150	314	35.55
P90-14M-115	90	3	401.07	32	90	398.3	-	133	133	150	358	41.00
P112-14M-115	112	3	499.11	32	90	496.3	-	133	133	150	456	54.40
P144-14M-115	144	3	641.71	32	100	638.9	-	133	133	165	600	67.80
P168-14M-115	168	3	748.66	32	100	745.9	-	133	133	165	706	75.80
P192-14M-115	192	3	855.62	32	100	852.8	-	133	133	165	813	88.30
14mm Pitch Pulleys for 170mm Wide Belts. Ref. 14M170												
P28-14M-170	28	1F	124.78	32	67	122.1	128	187	202	100	-	14.80
P30-14M-170	30	1F	133.69	32	67	131.0	138	187	202	100	-	16.70
P32-14M-170	32	1F	142.60	32	67	139.9	154	187	202	100	-	19.40
P34-14M-170	34	1F	151.52	32	67	148.8	160	187	202	100	-	21.85
P36-14M-170	36	1F	160.43	32	80	157.7	168	187	202	120	-	25.20
P38-14M-170	38	1F	169.34	32	90	166.6	183	187	202	135	-	28.40
P40-14M-170	40	1F	178.25	32	90	175.5	188	187	202	140	-	32.26
P48-14M-170	48	1F	213.90	32	90	211.1	226	187	202	150	-	39.50
P64-14M-170	64	3F	285.21	32	90	282.4	296	187	202	150	240	54.00
P80-14M-170	80	3	356.51	32	108	353.7	-	187	187	180	314	69.40
P90-14M-170	90	3	401.07	32	108	398.3	-	187	187	180	358	71.30
P112-14M-170	112	3	499.11	32	108	496.3	-	187	187	200	456	88.00
P144-14M-170	144	3	641.71	32	108	638.9	-	187	187	220	600	113.00
P192-14M-170	192	3	855.62	32	108	852.8	-	187	187	220	813	140.00

Pulley Types

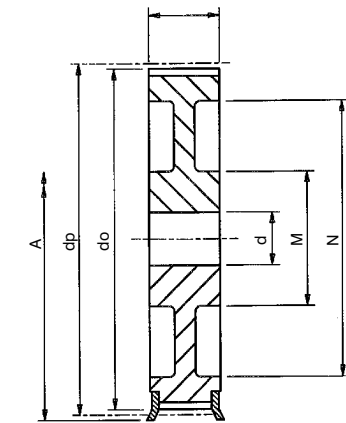
The pulley types referred to in tables are as drawings below. Suffix 'F' indicates pulley has flanges. Pulleys below dividing line in tables are manufactured in cast iron, unflanged pulleys incorporate lightening holes in design, except P80-14M-170. Std. Pulleys can be reworked to customers bore and keyway requirements.



Type 1F
Material: Steel



Type 2/2F
Material: Steel or Cast Iron



Type 3/3F
Material: Cast Iron

All dimensions in mm.

Standard Pulleys can be reworked to customers bore and keyway requirements.