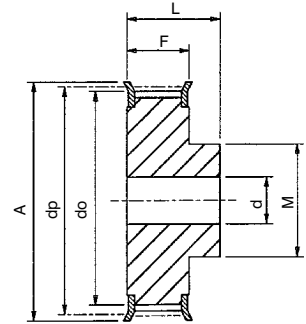


Plain Bore Pulleys 8M Belts

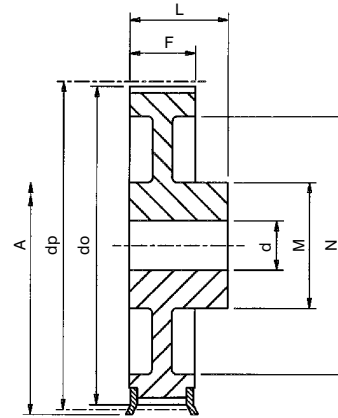
| Catalogue No. | No. Teeth Z | Pulley Type | Pitch Circle Diameter dp | Min. Bore d | Max Bore d | Outside Diameter do | Flange Diameter A | Pulley Width F | Bore Length L | Hub Diameter M | Rim Diameter N | Approx. Weight kg |
|---|-------------|-------------|--------------------------|-------------|------------|---------------------|-------------------|----------------|---------------|----------------|----------------|-------------------|
| 8mm Pitch Pulleys for 20mm wide Belts. Ref. 8M20 | | | | | | | | | | | | |
| P22-8M-20 | 22 | 1F | 56.02 | 12 | 29 | 54.7 | 60 | 28 | 38 | 43 | - | 0.54 |
| P24-8M-20 | 24 | 1F | 61.12 | 12 | 30 | 59.8 | 66 | 28 | 38 | 45 | - | 0.65 |
| P26-8M-20 | 26 | 1F | 66.21 | 12 | 32 | 64.9 | 70 | 28 | 38 | 48 | - | 0.80 |
| P28-8M-20 | 28 | 1F | 71.30 | 15 | 34 | 70.1 | 75 | 28 | 38 | 50 | - | 0.87 |
| P30-8M-20 | 30 | 1F | 76.39 | 15 | 36 | 75.1 | 83 | 28 | 38 | 55 | - | 1.02 |
| P32-8M-20 | 32 | 1F | 81.49 | 15 | 40 | 80.2 | 87 | 28 | 38 | 60 | - | 1.20 |
| P34-8M-20 | 34 | 1F | 86.58 | 15 | 46 | 85.2 | 91 | 28 | 38 | 70 | - | 1.40 |
| P36-8M-20 | 36 | 1F | 91.67 | 15 | 50 | 90.3 | 97 | 28 | 38 | 75 | - | 1.55 |
| P38-8M-20 | 38 | 1F | 96.77 | 15 | 50 | 95.4 | 102 | 28 | 38 | 75 | - | 1.65 |
| P40-8M-20 | 40 | 1F | 101.86 | 15 | 50 | 100.5 | 106 | 28 | 38 | 75 | - | 1.74 |
| P44-8M-20 | 44 | 1F | 112.05 | 15 | 50 | 110.7 | 120 | 28 | 38 | 75 | - | 2.10 |
| P48-8M-20 | 48 | 1F | 122.23 | 15 | 50 | 120.9 | 128 | 28 | 38 | 75 | - | 2.44 |
| P56-8M-20 | 56 | 2F | 142.60 | 15 | 54 | 141.2 | 150 | 28 | 38 | 80 | 116 | 2.60 |
| P64-8M-20 | 64 | 2F | 162.97 | 15 | 54 | 161.6 | 168 | 28 | 38 | 80 | 137 | 2.90 |
| P72-8M-20 | 72 | 2F | 183.35 | 15 | 54 | 182.0 | 192 | 28 | 38 | 80 | 158 | 3.10 |
| P80-8M-20 | 80 | 2 | 203.72 | 15 | 54 | 202.4 | - | 28 | 38 | 90 | 180 | 3.80 |
| P90-8M-20 | 90 | 2 | 229.18 | 15 | 54 | 227.8 | - | 28 | 38 | 90 | 204 | 4.20 |
| P112-8M-20 | 112 | 2 | 285.21 | 18 | 54 | 283.8 | - | 28 | 38 | 90 | 254 | 5.20 |
| P144-8M-20 | 144 | 2 | 366.69 | 20 | 54 | 365.3 | - | 28 | 38 | 90 | 336 | 7.50 |
| P168-8M-20 | 168 | 2 | 427.81 | 20 | 60 | 426.4 | - | 28 | 38 | 100 | 400 | 10.00 |
| P192-8M-20 | 192 | 2 | 488.92 | 20 | 60 | 487.6 | - | 28 | 38 | 100 | 460 | 14.40 |
| 8mm Pitch Pulleys for 30mm wide Belts. Ref. 8M30 | | | | | | | | | | | | |
| P22-8M-30 | 22 | 1F | 56.02 | 12 | 29 | 54.7 | 60 | 38 | 48 | 43 | - | 0.69 |
| P24-8M-30 | 24 | 1F | 61.12 | 12 | 30 | 59.8 | 66 | 38 | 48 | 45 | - | 0.84 |
| P26-8M-30 | 26 | 1F | 66.21 | 12 | 32 | 64.9 | 70 | 38 | 48 | 48 | - | 1.00 |
| P28-8M-30 | 28 | 1F | 71.30 | 15 | 34 | 70.1 | 75 | 38 | 48 | 50 | - | 1.12 |
| P30-8M-30 | 30 | 1F | 76.39 | 15 | 36 | 75.1 | 83 | 38 | 48 | 55 | - | 1.32 |
| P32-8M-30 | 32 | 1F | 81.49 | 15 | 40 | 80.2 | 87 | 38 | 48 | 60 | - | 1.53 |
| P34-8M-30 | 34 | 1F | 86.58 | 15 | 46 | 85.2 | 91 | 38 | 48 | 70 | - | 1.80 |
| P36-8M-30 | 36 | 1F | 91.67 | 15 | 50 | 90.3 | 97 | 38 | 48 | 75 | - | 1.99 |
| P38-8M-30 | 38 | 1F | 96.77 | 15 | 50 | 95.4 | 102 | 38 | 48 | 75 | - | 2.27 |
| P40-8M-30 | 40 | 1F | 101.86 | 15 | 50 | 100.5 | 106 | 38 | 48 | 75 | - | 2.40 |
| P44-8M-30 | 44 | 1F | 112.05 | 15 | 50 | 110.7 | 120 | 38 | 48 | 75 | - | 2.80 |
| P48-8M-30 | 48 | 1F | 122.23 | 15 | 50 | 120.9 | 128 | 38 | 48 | 75 | - | 3.20 |
| P56-8M-30 | 56 | 2F | 142.60 | 15 | 60 | 141.2 | 150 | 38 | 48 | 90 | 116 | 3.60 |
| P64-8M-30 | 64 | 2F | 162.97 | 15 | 60 | 161.6 | 168 | 38 | 48 | 90 | 137 | 4.30 |
| P72-8M-30 | 72 | 2F | 183.35 | 15 | 63 | 182.0 | 192 | 38 | 48 | 95 | 158 | 4.80 |
| P80-8M-30 | 80 | 2 | 203.72 | 15 | 60 | 202.4 | - | 38 | 48 | 100 | 180 | 5.10 |
| P90-8M-30 | 90 | 2 | 229.18 | 15 | 60 | 227.8 | - | 38 | 48 | 100 | 204 | 5.70 |
| P112-8M-30 | 112 | 2 | 285.21 | 18 | 60 | 283.8 | - | 38 | 48 | 100 | 254 | 6.80 |
| P144-8M-30 | 144 | 2 | 366.69 | 20 | 60 | 365.3 | - | 38 | 48 | 100 | 336 | 9.30 |
| P168-8M-30 | 168 | 2 | 427.81 | 20 | 60 | 426.4 | - | 38 | 48 | 100 | 400 | 11.40 |
| P192-8M-30 | 192 | 2 | 488.92 | 20 | 60 | 487.6 | - | 38 | 48 | 100 | 460 | 16.00 |
| 8mm Pitch Pulleys for 50mm wide Belts. Ref. 8M50 | | | | | | | | | | | | |
| P22-8M-50 | 22 | 1F | 56.02 | 12 | 29 | 54.7 | 60 | 60 | 70 | 43 | - | 1.00 |
| P24-8M-50 | 24 | 1F | 61.12 | 12 | 30 | 59.8 | 66 | 60 | 70 | 45 | - | 1.23 |
| P26-8M-50 | 26 | 1F | 66.21 | 15 | 32 | 64.9 | 70 | 60 | 70 | 48 | - | 1.50 |
| P28-8M-50 | 28 | 1F | 71.30 | 15 | 34 | 70.1 | 75 | 60 | 70 | 50 | - | 1.67 |
| P30-8M-50 | 30 | 1F | 76.39 | 15 | 36 | 75.1 | 83 | 60 | 70 | 55 | - | 1.97 |
| P32-8M-50 | 32 | 1F | 81.49 | 15 | 40 | 80.2 | 87 | 60 | 70 | 60 | - | 2.27 |
| P34-8M-50 | 34 | 1F | 86.58 | 15 | 44 | 85.2 | 91 | 60 | 70 | 66 | - | 2.69 |
| P36-8M-50 | 36 | 1F | 91.67 | 15 | 46 | 90.3 | 97 | 60 | 70 | 70 | - | 2.97 |
| P38-8M-50 | 38 | 1F | 96.77 | 15 | 50 | 95.4 | 102 | 60 | 70 | 75 | - | 3.23 |
| P40-8M-50 | 40 | 1F | 101.86 | 18 | 50 | 100.5 | 106 | 60 | 70 | 75 | - | 3.50 |
| P44-8M-50 | 44 | 1F | 112.05 | 18 | 50 | 110.7 | 120 | 60 | 70 | 75 | - | 3.90 |
| P48-8M-50 | 48 | 1F | 122.23 | 18 | 54 | 120.9 | 128 | 60 | 70 | 80 | - | 4.30 |
| P56-8M-50 | 56 | 3F | 142.60 | 18 | 60 | 141.2 | 150 | 60 | 60 | 90 | 116 | 5.00 |
| P64-8M-50 | 64 | 3F | 162.97 | 18 | 67 | 161.6 | 168 | 60 | 60 | 100 | 137 | 5.60 |
| P72-8M-50 | 72 | 3F | 183.35 | 18 | 67 | 182.0 | 192 | 60 | 60 | 100 | 158 | 6.80 |
| P80-8M-50 | 80 | 3 | 203.72 | 18 | 66 | 202.4 | - | 60 | 60 | 110 | 180 | 6.90 |
| P90-8M-50 | 90 | 3 | 229.18 | 18 | 66 | 227.8 | - | 60 | 60 | 110 | 204 | 8.60 |
| P112-8M-50 | 112 | 3 | 285.21 | 18 | 66 | 283.8 | - | 60 | 60 | 110 | 254 | 9.60 |
| P144-8M-50 | 144 | 3 | 366.69 | 20 | 66 | 365.3 | - | 60 | 60 | 110 | 336 | 13.80 |
| P168-8M-50 | 168 | 3 | 427.81 | 20 | 72 | 426.4 | - | 60 | 60 | 120 | 400 | 16.00 |
| P192-8M-50 | 192 | 3 | 488.92 | 20 | 78 | 487.6 | - | 60 | 60 | 130 | 460 | 22.40 |
| 8mm Pitch Pulleys for 85mm wide Belts. Ref. 8M85 | | | | | | | | | | | | |
| P22-8M-85 | 22 | 1F | 56.02 | 12 | 29 | 54.7 | 60 | 95 | 105 | 43 | - | 1.55 |
| P24-8M-85 | 24 | 1F | 61.12 | 12 | 30 | 59.8 | 66 | 95 | 105 | 45 | - | 1.90 |
| P26-8M-85 | 26 | 1F | 66.21 | 12 | 32 | 64.9 | 70 | 95 | 105 | 48 | - | 2.25 |
| P28-8M-85 | 28 | 1F | 71.30 | 15 | 34 | 70.1 | 75 | 95 | 105 | 50 | - | 2.55 |
| P30-8M-85 | 30 | 1F | 76.39 | 15 | 36 | 75.1 | 83 | 95 | 105 | 55 | - | 3.00 |
| P32-8M-85 | 32 | 1F | 81.49 | 15 | 40 | 80.2 | 87 | 95 | 105 | 60 | - | 3.57 |
| P34-8M-85 | 34 | 1F | 86.58 | 15 | 44 | 85.2 | 91 | 95 | 105 | 66 | - | 4.00 |
| P36-8M-85 | 36 | 1F | 91.67 | 15 | 46 | 90.3 | 97 | 95 | 105 | 70 | - | 4.50 |
| P38-8M-85 | 38 | 1F | 96.77 | 15 | 50 | 95.4 | 102 | 95 | 105 | 75 | - | 5.00 |
| P40-8M-85 | 40 | 1F | 101.86 | 18 | 50 | 100.5 | 106 | 95 | 105 | 75 | - | 5.20 |
| P44-8M-85 | 44 | 1F | 112.05 | 18 | 50 | 110.7 | 120 | 95 | 105 | 75 | - | 6.60 |
| P48-8M-85 | 48 | 1F | 122.23 | 18 | 54 | 120.9 | 128 | 95 | 105 | 80 | - | 7.00 |
| P56-8M-85 | 56 | 1F | 142.60 | 18 | 54 | 141.2 | 150 | 95 | 105 | 90 | - | 10.00 |
| P64-8M-85 | 64 | 3F | 162.97 | 20 | 67 | 161.6 | 168 | 95 | 95 | 100 | 137 | 10.40 |
| P72-8M-85 | 72 | 3F | 183.35 | 20 | 67 | 182.0 | 192 | 95 | 95 | 100 | 158 | 11.40 |
| P80-8M-85 | 80 | 3 | 203.72 | 20 | 66 | 202.4 | - | 95 | 95 | 110 | 180 | 11.10 |
| P90-8M-85 | 90 | 3 | 229.18 | 20 | 66 | 227.8 | - | 95 | 95 | 110 | 204 | 12.20 |
| P112-8M-85 | 112 | 3 | 285.21 | 24 | 66 | 283.8 | - | 95 | 95 | 110 | 254 | 15.00 |
| P144-8M-85 | 144 | 3 | 366.69 | 24 | 66 | 365.3 | - | 95 | 95 | 110 | 336 | 21.50 |
| P168-8M-85 | 168 | 3 | 427.81 | 24 | 72 | 426.4 | - | 95 | 95 | 120 | 400 | 24.10 |
| P192-8M-85 | 192 | 3 | 488.92 | 24 | 78 | 487.6 | - | 95 | 95 | 130 | 460 | 30.60 |

Pulley Types

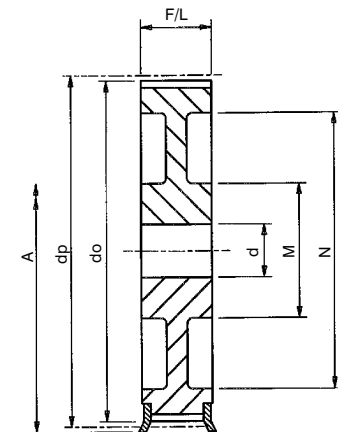
The Pulley types referred to in tables are as drawings below. Suffix 'F' indicates pulley has flanges. Pulley below dividing line in tables are manufactured in cast iron. Pulleys 112 teeth (80 teeth on 8M-85) and above incorporate lightening holes in design.



Type 1F
Material: Steel



Type 2/2F
Material: Steel or Cast Iron



Type 3/3F
Material: Steel or Cast Iron

*Non-stock items, manufactured to customer order only. All dimensions in mm. Standard Pulleys can be reworked to customers bore and keyway requirements