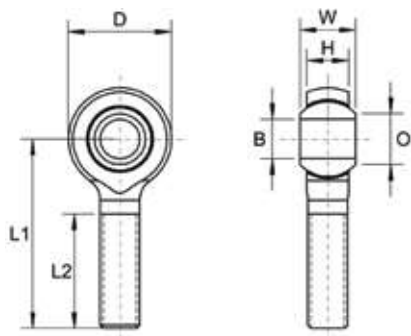




MALE ROD ENDS



MH SERIES: MH - MHS - MH SS

Description:

MH series is our 3-piece unique internationally patented range of male rod ends incorporating a polyurethane bearing race that provides ultra smooth operation. A nitrotec surface protected ball with a PTFE lubricant provide superior shock load and extended wear properties, combined with excellent chemical and corrosion resistance. The unique innovative captive body design prevents detachment through excessive axial loads. For optimum performance, ensure that the rod end is mounted with the moulded lettering facing away from the direction of pull.

Material Specifications:

Housing: Steel 230M07PB zinc plated and clear trivalent passivate. Race: Polyurethane. Ball: 230M07PB nitrotec finish. Stud: Steel 230M07PB zinc plated and clear trivalent passivate and stainless steel 303C. Lubricant: Uniflor oil.

Features:

- Metric & imperial sizes
- Ultra low friction
- High shock loads
- Extended wear life
- No maintenance
- Studded option

Possible Applications:

- Light to medium
- Construction equipment
- Agricultural equipment
- Recreational vehicles
- High precision motion control
- Safety features

Temperature Range:

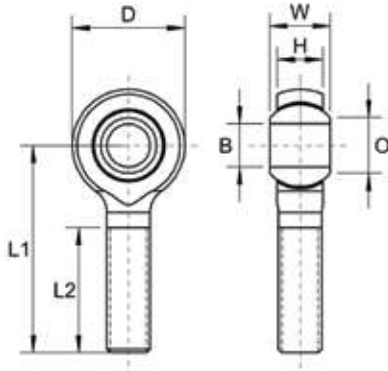
-40°C to + 80°C

Specification:

ELV & RoHS compliant



MH SERIES: MAINTENANCE FREE ROD ENDS WITH MALE THREAD (METRIC)



Housing: Steel 230M07Pb, Zinc Plated and Clear Trivalent Passivate

Race: Polyurethane

Ball: Steel 230M07Pb – Nitrotec Surface Protection

Lubricant: Uniflor Oil

Specification: ELV and RoHS Compliant

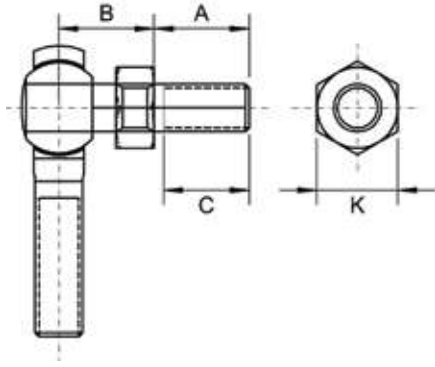


Part No. Right Hand	Part No. Left Hand	Bore Size	Thread	W	H	D	L1	L2	O	Static Load Rating (Newtons) Radial
MH-M06	MHL-M06	6	M6X1.00	9	6.75	20	36	21	8.90	9,806
MH-M08	MHL-M08	8	M8X1.25	12	9.00	24	42	25	10.35	17,652
MH-M08C	MHL-M08C	8	M8X1.00	12	9.00	24	42	25	10.35	17,652
MH-M10	MHL-M10	10	M10X1.50	14	10.50	28	48	28	12.85	21,575
MH-M10C	MHL-M10C	10	M10X1.25	14	10.50	28	48	28	12.85	21,575

MH SERIES: MAINTENANCE FREE ROD ENDS WITH MALE THREAD (IMPERIAL)

Part No. Right Hand	Part No. Left Hand	Bore Size	Thread	W	H	D	L1	L2	O	Static Load Rating (Newtons) Radial
MH-04	MHL-04	1/4	1/4 UNF	0.354	0.266	0.787	1.417	0.827	0.350	9,806
MH-04F	MHL-04F	1/4	1/4 BSF	0.354	0.266	0.787	1.417	0.827	0.350	9,806
MH-05	MHL-05	5/16	5/16 UNF	0.472	0.354	0.945	1.654	0.984	0.406	17,652
MH-05F	MHL-05F	5/16	5/16 BSF	0.472	0.354	0.945	1.654	0.984	0.406	17,652
MH-06	MHL-06	3/8	3/8 UNF	0.551	0.413	1.102	1.890	1.102	0.508	21,575
MH-06F	MHL-06F	3/8	3/8 BSF	0.551	0.413	1.102	1.890	1.102	0.508	21,575
MH-07	MHL-07	7/16	7/16 UNF	0.562	0.437	1.201	2.118	1.323	0.585	23,540
MH-07F	MHL-07F	7/16	7/16 BSF	0.562	0.437	1.201	2.118	1.323	0.585	23,540
MH-08	MHL-08	1/2	1/2 UNF	0.628	0.472	1.250	2.441	1.457	0.610	25,890
MH-08F	MHL-08F	1/2	1/2 BSF	0.628	0.472	1.250	2.441	1.457	0.610	25,890
MH-10	MHL-10	5/8	5/8 UNF	0.750	0.560	1.503	2.625	1.575	0.811	34,520
MH-10F	MHL-10F	5/8	5/8 UNF	0.750	0.560	1.503	2.625	1.575	0.811	34,520
MH-12	MHL-12	3/4	3/4 UNF	0.875	0.689	1.75	2.875	1.75	0.978	52,000
MH-12F	MHL-12F	3/4	3/4 BSF	0.875	0.689	1.75	2.875	1.75	0.978	52,000

MHS SERIES: MAINTENANCE FREE ROD ENDS WITH MALE THREAD (METRIC)



- Housing:** Steel 230M07Pb, Zinc Plated and Clear Trivalent Passivated
- Race:** Polyurethane
- Ball:** Steel 230M07Pb – Nitrotec Surface Protection
- Lubricant:** Uniflor Oil
- Stud:** Steel 230M07Pb, Zinc Plated and Clear. Trivalent Passivated
- Specification:** ELV and RoHS Compliant



Part No. Right Hand	Part No. Left Hand	Stud size	Thread	A	B	C	K	Static Load Rating (Newtons) Radial
MH-M06S	MHL-M06S	M6X1.00	M6X1.00	12.5	11.0	10.5	8	1,930
MH-M08S	MHL-M08S	M8X1.25	M8X1.25	16.5	13.0	14.5	11	3,190
MH-M10S	MHL-M10S	M10X1.50	M10X1.50	20.0	16.0	18.0	13	4,240
MH-M10CS	MHL-M10CS	M10X1.50	M10X1.25	20.0	16.0	18.0	13	4,240
MH-M12S	MHL-M12S	M12X1.75	M12X1.75	20.0	13.0	18.0	16	5,720
MH-M12CS	MHL-M12CS	M12X1.75	M12X1.25	20.0	13.0	18.0	16	5,720

MHS SERIES: MAINTENANCE FREE ROD ENDS WITH MALE THREAD (IMPERIAL)

Part No. Right Hand	Part No. Left Hand	Stud Size	Thread	A	B	C	K	Static Load Rating (Newtons) Radial
MH-04S	MHL-04S	1/4 UNF	1/4 UNF	0.492	0.433	0.412	5/16	1,930
MH-04FS	MHL-04FS	1/4 UNF	1/4 BSF	0.492	0.433	0.412	5/16	1,930
MH-05S	MHL-05S	5/16 UNF	5/16 UNF	0.650	0.512	0.570	7/16	3,190
MH-05FS	MH-05FS	5/16 UNF	5/16 BSF	0.650	0.512	0.570	7/16	3,190
MH-06S	MH-06S	3/8 UNF	3/8 UNF	0.787	0.630	0.707	1/2	4,240
MH-06FS	MH-06FS	3/8 UNF	3/8 BSF	0.787	0.630	0.707	1/2	4,240
MH-07S	MH-07S	7/16 UNF	7/16 UNF	0.945	0.750	0.865	1/2	5,720
MH-07FS	MH-07FS	7/16 UNF	7/16 BSF	0.945	0.750	0.865	1/2	5,720
MH-08S	MHL-08S	1/2 UNF	1/2 UNF	1.100	0.866	0.945	9/16	7,200
MH-08FS	MHL-08FS	1/2 UNF	1/2 BSF	1.100	0.866	0.945	9/16	7,200