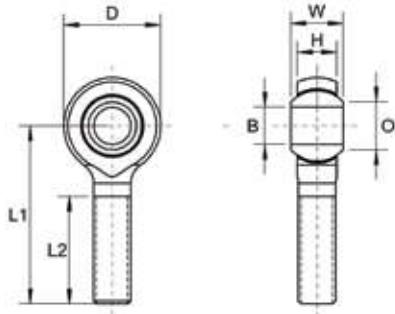




MALE ROD ENDS



**MP-SERIES: MP – MPS – MP SS**

**Description**

MP-Series is our 3-piece standard range of self lubricating general purpose male rod ends suitable for light to medium heavy industrial/mechanical load applications requiring low friction and good wear resistance, available in both metric and imperial bore and thread sizes. They have excellent moisture resistance and require no maintenance and have a wide operating temperature range.

**Material Specifications**

Housing: Steel 230M07PB. and forged 080M46, zinc plated and clear trivalent plastic and stainless steel 303L & 304 forged. Race: GR-nylon LV-3H. Ball: Bearing steel 100Cr6, hardened and electroless nickel plated and stainless steel 440C and \*SAE660. Stud: Steel 230M07PB zinc plated and clear trivalent passivate and stainless steel 303L.

**Features**

- Metric & imperial thread & bore sizes
- Low friction
- Self-lubricating
- Good wear resistance
- Excellent moisture resistance
- Studded option

**Possible Applications**

- Light to medium/heavy industrial/mechanical applications
- Construction equipment
- Agricultural equipment
- Recreational vehicles
- Precision equipment
- No maintenance
- Linear movement

**Temperature Range**

-30°C to +170°C

**Specification**

ELV & RoHS compliant

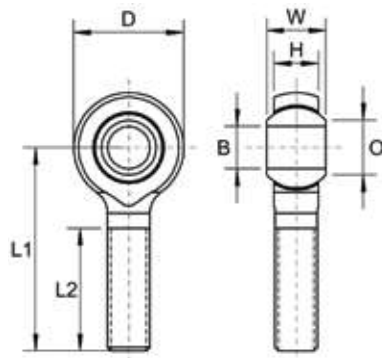
**Interchange table**

Dunlop	Rose	Tuthill	Alinabal	SKF	Asahi	IKO
MP-M (metric)	MMP	MJ-M	MPM-M	SAKB-M	JAM EC	POS-EC
MP (imperial)	RMP	MJ	PM-	-	-	POSB-EC

Note: Manufacturers part numbers are used for descriptive purposes only and may not be direct equivalent products.



**MP SERIES: MAINTENANCE FREE ROD ENDS WITH MALE THREAD (METRIC)**



**Housing:** Steel 230M07Pb (Sizes M03 – M12)  
 Forged 080M46 (Sizes M14 – M25)  
 Zinc Plated and Clear Trivalent Passivate

**Race:** GR-Nylon, LV-3H

**Ball:** Bearing Steel 100Cr6, Hardened and Electro-less Nickel Plated

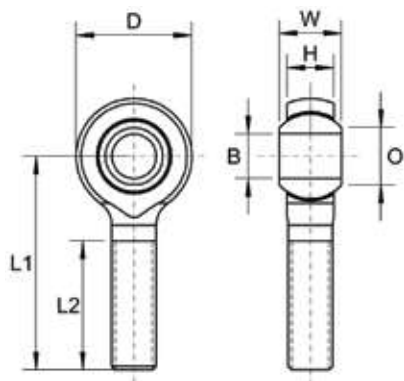
**Specification:** ELV and RoHS Compliant



Part No. Right Hand	Part No. Left Hand	Bore Size	Thread	W	H	D	L1	L2	O	Static Load Rating (Newtons) Radial
MP-M03	MPL-M03	3	M3X0.50	6	4.50	12	27	15	5.20	3,040
MP-M04-3	MPL-M04-3	3	M4X0.70	7	5.00	14	30	18	6.30	4,060
MP-M04	MPL-M04	4	M4X0.70	7	5.00	14	30	18	6.30	4,060
MP-M05-4	MPL-M05-4	4	M5X0.80	8	6.00	16	33	20	7.50	5,340
MP-M05	MPL-M05	5	M5X0.80	8	6.00	16	33	20	7.50	5,340
MP-M06-5	MPL-M06-5	5	M6X1.00	9	6.75	18	36	22	9.30	7,720
MP-M06	MPL-M06	6	M6X1.00	9	6.75	18	36	22	9.30	7,720
MP-M08-6	MPL-M08-6	6	M8X1.25	12	9.00	22	42	25	10.40	12,775
MP-M08-6C	MPL-M08-6C	6	M8X1.00	12	9.00	22	42	25	10.40	12,775
MP-M08	MPL-M08	8	M8X1.25	12	9.00	22	42	25	10.40	12,775
MP-M08C	MPL-M08C	8	M8X1.00	12	9.00	22	42	25	10.40	12,775
MP-M10-8	MPL-M10-8	8	M10X1.50	14	10.50	26	48	29	12.90	16,960
MP-M10-8C	MPL-M10-8C	8	M10X1.25	14	10.50	26	48	29	12.90	16,960
MP-M10	MPL-M10	10	M10X1.50	14	10.50	26	48	29	12.90	16,960
MP-M10C	MPL-M10C	10	M10X1.25	14	10.50	26	48	29	12.90	16,960
MP-M12-10	MPL-M12-10	10	M12X1.75	16	12.00	30	54	33	15.40	22,900
MP-M12-10C	MPL-M12-10C	10	M12X1.25	16	12.00	30	54	33	15.40	22,900
MP-M12	MPL-M12	12	M12X1.75	16	12.00	30	54	33	15.40	22,900
MP-M12C	MPL-M12C	12	M12X1.25	16	12.00	30	54	33	15.40	22,900
MP-M14-12	MPL-M14-12	12	M14X2.00	19	13.50	34	60	36	16.80	28,950
MP-M14-12C	MPL-M14-12C	12	M14X1.50	19	13.50	34	60	36	16.80	28,950
MP-M14	MPL-M14	14	M14X2.00	19	13.50	34	60	36	16.80	28,950
MP-M14C	MPL-M14C	14	M14X1.50	19	13.50	34	60	36	16.80	28,950
MP-M16-14	MPL-M16-14	14	M16X2.00	21	15.00	38	66	40	19.30	37,130
MP-M16-14C	MPL-M16-14C	14	M16X1.50	21	15.00	38	66	40	19.30	37,130
MP-M16	MPL-M16	16	M16X2.00	21	15.00	38	66	40	19.30	37,130
MP-M16C	MPL-M16C	16	M16X1.50	21	15.00	38	66	40	19.30	37,130
MP-M18-16C	MPL-M18-16C	16	M18X1.50	23	16.50	46	72	43	21.80	45,730
MP-M18C	MPL-M18C	18	M18X1.50	23	16.50	46	72	43	21.80	45,730
MP-M20-18	MPL-M20-18	18	M20X2.50	25	18.00	50	78	46	24.50	55,240
MP-M20-18C	MPL-M20-18C	18	M20X1.50	25	18.00	50	78	46	24.50	55,240
MP-M20	MPL-M20	20	M20X2.50	25	18.00	50	78	46	24.50	55,240
MP-M20C	MPL-M20C	20	M20X1.50	25	18.00	50	78	46	24.50	55,240
MP-M22	MPL-M22	22	M22X1.50	28	20.00	54	84	51	25.80	57,420
MP-M25	MPL-M25	25	M24X2.00	31	22.00	60	94	57	29.60	67,140

For stainless steel add 'SS' to part no. For example 'MP-M03 SS'

**MP SERIES: MAINTENANCE FREE ROD ENDS WITH MALE THREAD (IMPERIAL)**



**Housing:** Steel 230M07Pb (Sizes 03 - 07)  
 Forged 080M46 (Sizes 08 - 16)  
 Zinc Plated and Clear Trivalent Passivate

**Race:** GR-Nylon, LV-3H

**Ball:** Bearing Steel 100Cr6, Hardened  
 and Electro-less Nickel Plated

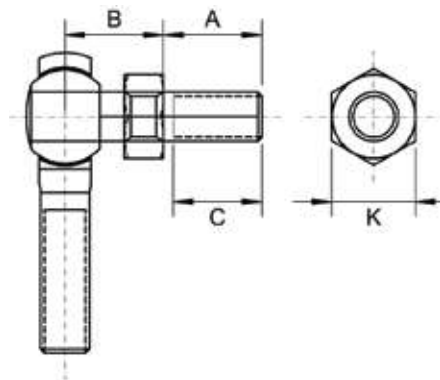
**Specification:** ELV and RoHS Compliant



Part No. Right Hand	Part No. Left Hand	Bore Size	Thread	W	H	D	L1	L2	O	Static Load Rating (Newtons) Radial
MP-03	MPL-03	3/16	10-32 UNF	0.312	0.250	0.625	1.250	0.750	0.306	5,340
MP-04-3	MPL-04-3	3/16	1/4 UNF	0.375	0.281	0.750	1.562	1.000	0.354	8,450
MP-04	MPL-04	1/4	1/4 UNF	0.375	0.281	0.750	1.562	1.000	0.354	8,450
MP-04F	MPL-04F	1/4	1/4 BSF	0.375	0.281	0.750	1.562	1.000	0.354	8,450
MP-05-4	MPL-05-4	1/4	5/16 UNF	0.437	0.344	0.875	1.875	1.250	0.447	12,010
MP-05-4F	MPL-05-4F	1/4	5/16 BSF	0.437	0.344	0.875	1.875	1.250	0.447	12,010
MP-05	MPL-05	5/16	5/16 UNF	0.437	0.344	0.875	1.875	1.250	0.447	12,010
MP-05F	MPL-05F	5/16	5/16 BSF	0.437	0.344	0.875	1.875	1.250	0.447	12,010
MP-06-5	MPL-06-5	5/16	3/8 UNF	0.500	0.406	1.000	1.938	1.250	0.516	16,900
MP-06-5F	MPL-06-5F	5/16	3/8 BSF	0.500	0.406	1.000	1.938	1.250	0.516	16,900
MP-06	MPL-06	3/8	3/8 UNF	0.500	0.406	1.000	1.938	1.250	0.516	16,900
MP-06/1	MPL-06/1	10mm	3/8 UNF	0.500	0.406	1.000	1.938	1.250	0.516	16,900
MP-06/2	MPL-06/2	3/8 HEX	3/8 UNF	0.500	0.406	1.000	1.938	1.250	0.516	16,900
MP-06F	MPL-06F	3/8	3/8 BSF	0.500	0.406	1.000	1.938	1.250	0.516	16,900
MP-07-6	MPL-07-6	3/8	7/16 UNF	0.562	0.437	1.125	2.125	1.375	0.586	19,750
MP-07-6F	MPL-07-6F	3/8	7/16 BSF	0.562	0.437	1.125	2.125	1.375	0.586	19,750
MP-07	MPL-07	7/16	7/16 UNF	0.562	0.437	1.125	2.125	1.375	0.586	19,750
MP-07F	MPL-07F	7/16	7/16 BSF	0.562	0.437	1.125	2.125	1.375	0.586	19,750
MP-08-7	MPL-08-7	7/16	1/2 UNF	0.625	0.500	1.312	2.438	1.500	0.700	28,900
MP-08-7F	MPL-08-7F	7/16	1/2 BSF	0.625	0.500	1.312	2.438	1.500	0.700	28,900
MP-08	MPL-08	1/2	1/2 UNF	0.625	0.500	1.312	2.438	1.500	0.700	28,900
MP-08F	MPL-08F	1/2	1/2 BSF	0.625	0.500	1.312	2.438	1.500	0.700	28,900
MP-10-8	MPL-10-8	1/2	5/8 UNF	0.750	0.562	1.500	2.625	1.625	0.811	32,000
MP-10-8F	MPL-10-8F	1/2	5/8 BSF	0.750	0.562	1.500	2.625	1.625	0.811	32,000
MP-10	MPL-10	5/8	5/8 UNF	0.750	0.562	1.500	2.625	1.625	0.811	32,000
MP-10F	MPL-10F	5/8	5/8 BSF	0.750	0.562	1.500	2.625	1.625	0.811	32,000
MP-12-10	MPL-12-10	5/8	3/4 UNF	0.875	0.685	1.750	2.875	1.750	0.978	52,400
MP-12-10F	MPL-12-10F	5/8	3/4 BSF	0.875	0.685	1.750	2.875	1.750	0.978	52,400
MP-12	MPL-12	3/4	3/4 UNF	0.875	0.685	1.750	2.875	1.750	0.978	52,400
MP-12F	MPL-12F	3/4	3/4 BSF	0.875	0.685	1.750	2.875	1.750	0.978	52,400
MP-16-12	MPL-16-12	3/4	1" UNF	1.375	1.00	2.750	4.125	2.125	1.486	65,200
MP-16-12F	MPL-16-12F	3/4	1" BSF	1.375	1.00	2.750	4.125	2.125	1.486	65,200
MP-16	MPL-16	1	1" UNF	1.375	1.00	2.750	4.125	2.125	1.486	65,200
MP-16F	MPL-16F	1	1" BSF	1.375	1.00	2.750	4.125	2.125	1.486	65,200

For stainless steel add 'SS' to part no. For example 'MP-03 SS'

**MPS SERIES: STUDED MALE ROD ENDS (METRIC)**



- Housing:** Steel 230M07Pb (Sizes M05 – M12 & 03 – 07)  
Forged 080M46 (Sizes M14 – M16 & 08 - 10)  
Zinc Plated and Clear Trivalent Passivated
- Race:** GR-Nylon, LV-3H
- Ball:** Bearing Steel 100Cr6, Hardened and Electro-less Nickel Plated
- Stud:** Steel 230M07Pb, Zinc Plated and Clear Trivalent Passivated
- Specification:** ELV and RoHS Compliant



Part No. Right Hand	Part No. Left Hand	Stud Size	Thread	A	B	C	K	Static Load Rating (Newtons) Radial
MP-M05S	MPL-M05S	M5X0.80	M5X0.80	10	10	8	9	1,200
MP-M06-5S	MPL-M06-5S	M5X0.80	M6X1.00	12	12	10	10	1,200
MP-M06S	MPL-M06S	M6X1.00	M6X1.00	12	12	10	10	1,930
MP-M08-6S	MPL-M08-6S	M6X1.00	M8X1.25	16	16	14	13	1,930
MP-M08S	MPL-M08S	M8X1.25	M8X1.25	16	16	14	13	3,190
MP-M10-8S	MPL-M10-8S	M8X1.25	M10X1.50	20	20	18	17	3,190
MP-M10S	MPL-M10S	M10X1.50	M10X1.50	20	20	18	17	4,240
MP-M12-10S	MPL-M12-10S	M10X1.50	M12X1.75	24	24	21	19	4,240
MP-M12S	MPL-M12S	M12X1.75	M12X1.75	24	24	21	19	5,720
MP-M14-12S	MPL-M14-12S	M12X1.75	M14X2.00	28	28	25	22	5,720
MP-M14S	MPL-M14S	M14X2.00	M14X2.00	28	28	25	22	7,200
MP-M16-14S	MPL-M16-14S	M14X2.00	M16X2.00	29	29	24	24	7,200
MP-M16S	MPL-M16S	M16X2.00	M16X2.00	29	29	24	24	9,000

**MPS SERIES: STUDED MALE ROD ENDS (IMPERIAL)**

Part No. Right Hand	Part No. Left Hand	Stud Size	Thread	A	B	C	K	Static Load Rating (Newtons) Radial
MP-03S	MPL-03S	3/16UNF	3/16 UNF	0.500	0.516	0.437	0.312	1,200
MP-04-3S	MPL-04-3S	3/16 UNF	1/4 UNF	0.562	0.485	0.500	0.375	1,200
MP-04S	MPL-04S	1/4 UNF	1/4 UNF	0.562	0.485	0.500	0.375	1,930
MP-05-4S	MPL-05-4S	1/4 UNF	5/16 UNF	0.687	0.547	0.594	0.437	1,930
MP-05S	MPL-05S	5/16 UNF	5/16 UNF	0.687	0.547	0.594	0.437	3,190
MP-06-5S	MPL-06-5S	5/16 UNF	3/8 UNF	0.906	0.562	0.812	0.500	3,190
MP-06S	MPL-06S	3/8 UNF	3/8 UNF	0.906	0.562	0.812	0.500	4,240
MP-07-6S	MPL-07-6S	3/8 UNF	7/16 UNF	1.125	0.843	1.000	0.625	4,240
MP-07S	MPL-07S	7/16 UNF	7/16 UNF	1.125	0.843	1.000	0.625	5,720
MP-08-7S	MPL-08-7S	7/16 UNF	1/2 UNF	1.125	0.875	1.000	0.625	5,720
MP-08S	MPL-08S	1/2 UNF	1/2 UNF	1.125	0.875	1.000	0.625	7,200
MP-10-8S	MPL-10-8S	1/2 UNF	5/8 UNF	1.125	1.000	1.000	0.750	7,200
MP-10S	MPL-10S	5/8 UNF	5/8 UNF	1.125	1.000	1.000	0.750	9,000

For stainless steel add 'SS' to part no. For example 'MP-M05S SS'