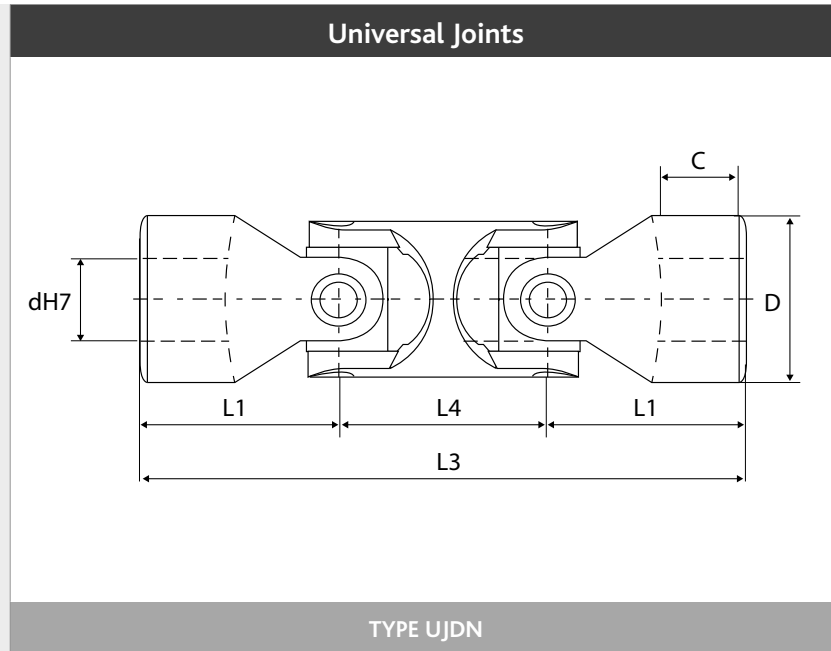




Universal Joints Standard Series



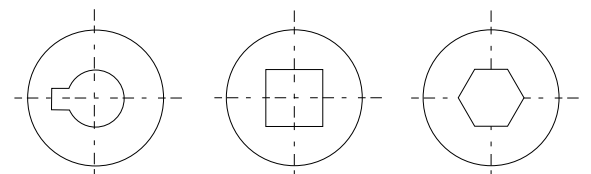
Double joint with needle roller bearings type UJDN in Steel							
Stock no.	Bore d H7	Diameter D	Overall length L3	Pivot to face centre L1	Pivot to pivot centre L4	Hub length C	Weight (kg)
UJDN22X10	10	22	74	24	26	12	0.15
UJDN25X12	12	25	86	28	30	13	0.25
UJDN28X14	14	28	96	30	36	14	0.4
UJDN32X16	16	32	104	34	36	16	0.45
UJDN36X18	18	36	114	37	40	17	0.7
UJDN42X20	20	42	128	41	46	18	1
UJDN45X22	22	45	145	47.5	50	22	1.55
UJDN50X25	25	50	163	54	55	26	2

For further sizes please enquire.

Maximum working angle	90 degrees
Maximum speed	1000 rpm
Maximum power	6kW
Maximum torque	600 Nm

Higher power and torques are available using larger diameter or needle roller bearing joints: please enquire.

Special Executions on Request
- Minimum order quantity may apply



NB : It is recommended that all plain bearing joints should be used with a protective gaiter to assist lubrication and help arrest the ingress of dirt.