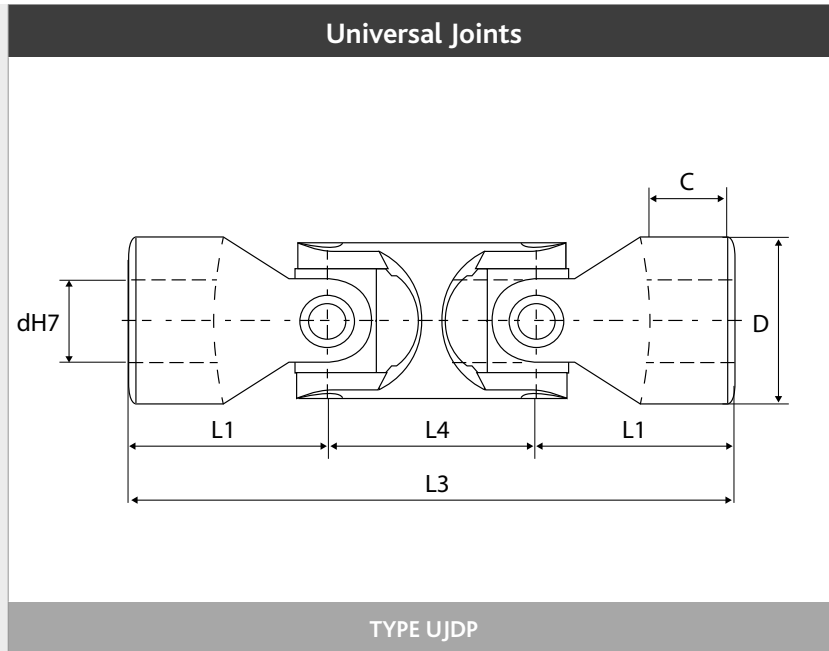


## Universal Joints Standard Series



**Double joint with plain bearings type UJDP in Steel**

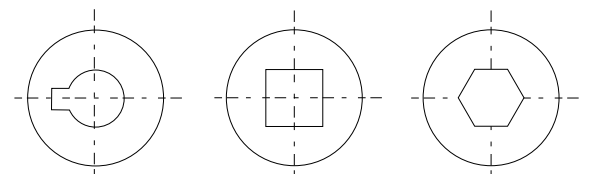
Stock no.	Bore d H7	Diameter D	Overall length L3	Pivot to face centre L1	Pivot to pivot centre L4	Hub length C	Weight (kg)	Gaiter type
UJDP16X6	6	16	56	17	22	8	0.08	UJG01M16
UJDP16X8	8	16	62	20	22	11	0.08	UJG01M16
UJDP22X10	10	22	74	24	26	12	0.15	UJG03M22
UJDP25X12	12	25	86	28	30	13	0.25	UJG04M25
UJDP28X14	14	28	96	30	36	14	0.4	UJG05M28
UJDP32X16	16	32	104	34	36	16	0.45	UJG1M32
UJDP36X18	18	36	114	37	40	17	0.7	UJG2M36
UJDP42X20	20	42	128	41	46	18	1	UJG3M42
UJDP45X22	22	45	145	47.5	50	22	1.55	UJG4M45
UJDP50X25	25	50	163	54	55	26	2	UJG5M50

For further sizes please enquire.

Maximum working angle	90 degrees
Maximum speed	1000 rpm
Maximum power	6kW
Maximum torque	600 Nm

Higher power and torques are available using larger diameter or needle roller bearing joints: please enquire.

**Special Executions on Request**  
- Minimum order quantity may apply



**NB :** It is recommended that all plain bearing joints should be used with a protective gaiter to assist lubrication and help arrest the ingress of dirt.