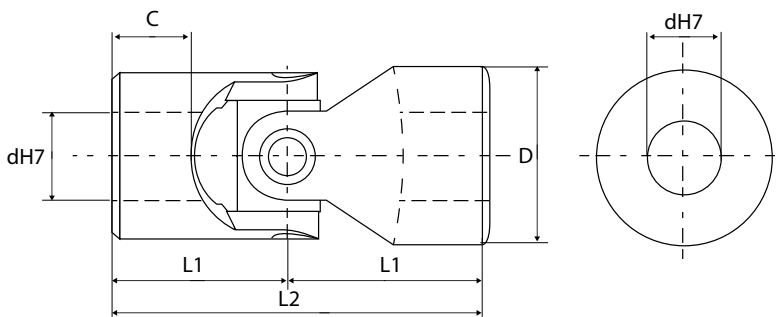


Universal Joints Standard Series



Universal Joints



TYPE UJSN

Single joint with needle roller bearings type UJSN in Steel

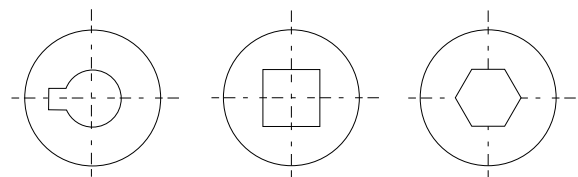
Stock no.	Bore d H7	Diameter D	Overall length L2	Pivot centre L1	Hub length C	Weight (kg)
UJSN22X10	10	22	48	24	12	0.1
UJSN25X12	12	25	56	28	13	0.16
UJSN28X14	14	28	60	30	14	0.2
UJSN32X16	16	32	68	34	16	0.3
UJSN36X18	18	36	74	37	17	0.45
UJSN42X20	20	42	82	41	18	0.6
UJSN45X22	22	45	95	47.5	22	0.95
UJSN50X25	25	50	108	54	26	1.2

For further sizes please enquire.

Maximum working angle	45 degrees
Maximum speed	4000 rpm
Maximum power	40kW
Maximum torque	200 Nm

Higher power and torques are available using larger diameter or needle roller bearing joints: please enquire.

Special Executions on Request - Minimum order quantity may apply



NB : It is recommended that all plain bearing joints should be used with a protective gaiter to assist lubrication and help arrest the ingress of dirt.