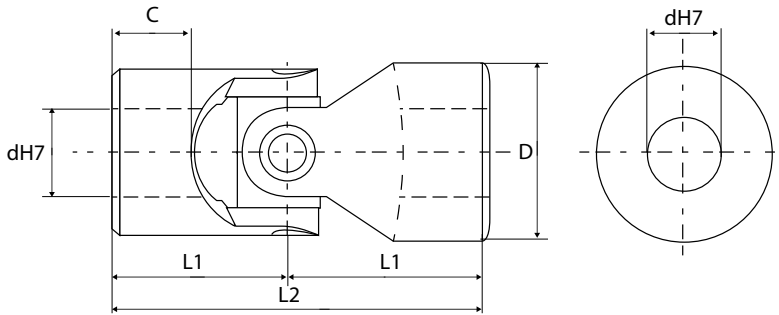


Universal Joints Standard & Long Series

Drive-flex



Universal Joints



TYPES UJSP & UJSPL

Single joint with plain bearings type UJSP in Steel

Stock no.	Bore d H7	Diameter D	Overall length L2	Pivot centre L1	Hub length C	Weight (kg)	Gaiter type
UJSP16X6	6	16	34	17	8	0.05	UJG01M16
UJSP16X8	8	16	40	20	11	0.05	UJG01M16
UJSP22X10	10	22	48	24	12	0.1	UJG03M22
UJSP25X12	12	25	56	28	13	0.16	UJG04M25
UJSP28X14	14	28	60	30	14	0.2	UJG05M28
UJSP32X16	16	32	68	34	16	0.3	UJG1M32
UJSP36X18	18	36	74	37	17	0.45	UJG2M36
UJSP42X20	20	42	82	41	18	0.6	UJG3M42
UJSP45X22	22	45	95	47.5	22	0.95	UJG4M45
UJSP50X25	25	50	108	54	26	1.2	UJG5M50

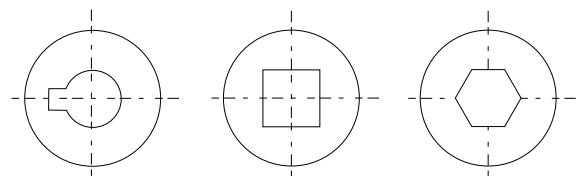
Single joint with plain bearings - Long Series - type UJSPL in Steel

UJSPL16X10	10	16	52	26	15	0.05	UJG01M16
UJSPL22X12	12	22	62	31	18	0.12	UJG03M22
UJSPL25X16	16	25	74	37	21	0.2	UJG04M25
UJSPL32X20	20	32	86	43	24	0.35	UJG1M32
UJSPL42X25	25	42	108	86	31	0.80	UJG3M42

Maximum working angle	45 degrees
Maximum speed	1000 rpm
Maximum power	6kW
Maximum torque	600 Nm

Higher power and torques are available using larger diameter or needle roller bearing joints: please enquire.

Special Executions on Request
- Minimum order quantity may apply



NB : It is recommended that all plain bearing joints should be used with a protective gaiter to assist lubrication and help arrest the ingress of dirt.